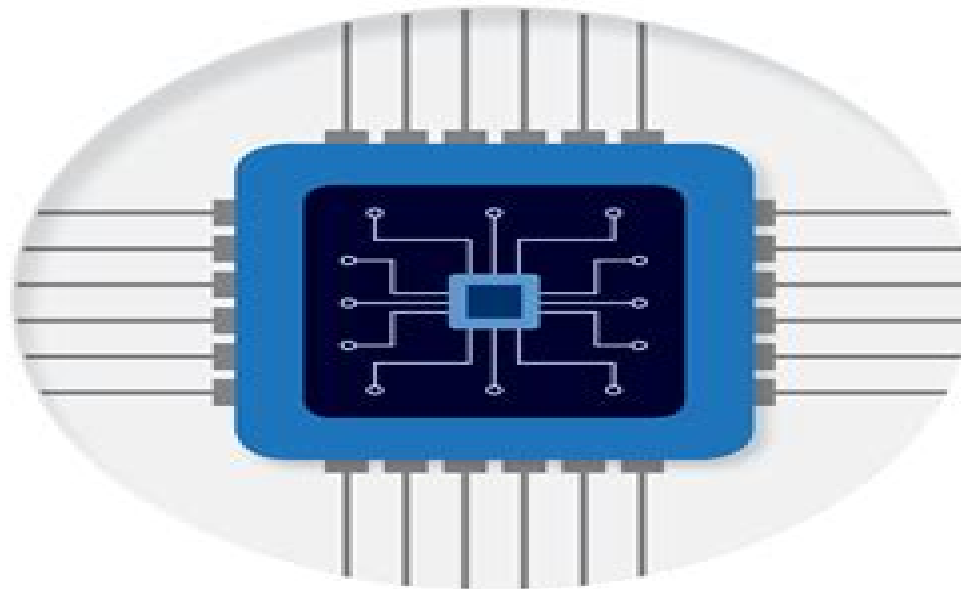


SEDRA/SMITH

Microelectronic Circuits

EIGHTH EDITION

ADEL S. SEDRA | KENNETH C. SMITH | TONY CHAN CARUSONE | VINCENT GAUDET



Smith Circuits

Peipei Pang



Smith Circuits:

Reports Containing the Cases Determined in All the Circuits from the Organization of the Courts, 1914 **Practical RF Circuit Design for Modern Wireless Systems** Les Besser, Rowan Gilmore, 2003 Annotation In today's globally competitive wireless industry the design to production cycle is critically important The first of a two volume set this leading edge book takes a practical approach to RF radio frequency circuit design offering a complete understanding of the fundamental concepts practitioners need to know and use for their work in the field *Respiratory Neurobiology*, 2022-08-12 Respiratory Neurobiology Physiology and Clinical Disorders Part One Volume 188 is one of two volumes on the neurology of breathing This volume focuses on the neurophysiology of breathing while the second volume focuses on pathologies attributable to abnormalities of the neural control of breathing breathing problems that may occur in neurological diseases and the neurological complications of respiratory diseases Explores the assessment and treatment of neural disorders of breathing Identifies neural complications of respiratory diseases Includes SIDS stroke Parkinson's dementia epilepsy muscular dystrophy and more *Federal Communications Commission Reports. V. 1-45, 1934/35-1962/64; 2d Ser., V. 1- July 17/Dec. 27, 1965-*. United States. Federal Communications Commission, 1940 *Federal Communications Commission Reports* United States. Federal Communications Commission, 1947 **The Canadian Almanac and Miscellaneous Directory**, 1919 Electromagnetic Compatibility (EMC) Design and Test Case Analysis Junqi Zheng, 2019-02-11 A practical introduction to techniques for the design of electronic products from the Electromagnetic compatibility EMC perspective Introduces techniques for the design of electronic products from the EMC aspects Covers normalized EMC requirements and design principles to assure product compatibility Describes the main topics for the control of electromagnetic interferences and recommends design improvements to meet international standards requirements FCC EU EMC directive Radio acts etc Well organized in a logical sequence which starts from basic knowledge and continues through the various aspects required for compliance with EMC requirements Includes practical examples and case studies to illustrate design features and troubleshooting Author is the founder of the EMC design risk evaluation approach and this book presents many years experience in teaching and researching the topic *Board of Contract Appeals Decisions* United States. Armed Services Board of Contract Appeals, 1986 The full texts of Armed Services and other Boards of Contract Appeals decisions on contracts appeals **Cases Argued and Determined in the Circuit and District Courts of the United States, for the Seventh Judicial Circuit** United States. Circuit Court (7th Circuit), Josiah Hooker Bissell, 1873 Microelectronic Circuits Adel S. Sedra, Kenneth Carless Smith, 1991 In the Third Edition of their bestselling design oriented treatment of discrete and integrated circuits Sedra Smith anticipate future trends in the teaching of core electronics to electrical and computer engineering students A major reorganization of the material enables students to get to the heart of the subject much more quickly And for instructors the text now divided into three parts is more flexible than ever before allowing maximum latitude

in course design It includes over 800 end of chapter problems covering all topics with a graded level of difficulty Covered are the latest circuit technologies of BiCMOS and Gallium Arsenide GaAs data converters and memory Material on power supply design filters and oscillators has been expanded

Cases Argued and Determined in the Circuit and District Courts of the United States, for the Seventh Judicial Circuit ,1873 Cases Argued and Determined in the Circuit and District Courts of the United States, for the Seventh Judicial Circuit Josiah H. Bissell,2023-07-13 Reprint of the original first published in 1873 *United States Circuit Courts of Appeals Reports* United States. Courts of Appeals,1909 **United States Circuit Courts of Appeals Reports** ,1913 **Iron and Steel Engineer** ,1929 Cases Decided in United States Court of Appeals for the Federal Circuit United States. Court of Appeals (Federal Circuit),1982 **The Canadian Engineer ...** ,1929 **Reports of Cases Decided in the Circuit and District Courts of the United States** Lewis Bond,2023-03-22 Reprint of the original first published in 1872 The publishing house Anatiposi publishes historical books as reprints Due to their age these books may have missing pages or inferior quality Our aim is to preserve these books and make them available to the public so that they do not get lost *Signal Integrity Effects in Custom IC and ASIC Designs* Raminderpal Singh,2001-12-12 offers a tutorial guide to IC designers who want to move to the next level of chip design by unlocking the secrets of signal integrity Jake Buurma Senior Vice President Worldwide Research Development Cadence Design Systems Inc Covers signal integrity effects in high performance Radio Frequency RF IC Brings together research papers from the past few years that address the broad range of issues faced by IC designers and CAD managers now and in the future A Wiley IEEE Press publication **Electrical Record and Buyer's Reference** ,1918

This book delves into Smith Circuits. Smith Circuits is an essential topic that must be grasped by everyone, from students and scholars to the general public. This book will furnish comprehensive and in-depth insights into Smith Circuits, encompassing both the fundamentals and more intricate discussions.

1. This book is structured into several chapters, namely:

- Chapter 1: Introduction to Smith Circuits
- Chapter 2: Essential Elements of Smith Circuits
- Chapter 3: Smith Circuits in Everyday Life
- Chapter 4: Smith Circuits in Specific Contexts
- Chapter 5: Conclusion

2. In chapter 1, this book will provide an overview of Smith Circuits. The first chapter will explore what Smith Circuits is, why Smith Circuits is vital, and how to effectively learn about Smith Circuits.

3. In chapter 2, the author will delve into the foundational concepts of Smith Circuits. This chapter will elucidate the essential principles that need to be understood to grasp Smith Circuits in its entirety.

4. In chapter 3, this book will examine the practical applications of Smith Circuits in daily life. This chapter will showcase real-world examples of how Smith Circuits can be effectively utilized in everyday scenarios.

5. In chapter 4, this book will scrutinize the relevance of Smith Circuits in specific contexts. This chapter will explore how Smith Circuits is applied in specialized fields, such as education, business, and technology.

6. In chapter 5, this book will draw a conclusion about Smith Circuits. The final chapter will summarize the key points that have been discussed throughout the book.

This book is crafted in an easy-to-understand language and is complemented by engaging illustrations. This book is highly recommended for anyone seeking to gain a comprehensive understanding of Smith Circuits.

<https://archive.kdd.org/results/scholarship/index.jsp/The%20Bunker%20Climate%20Atlas%20Of%20The%20North%20Atlantic%20Ocean%20Observations%20Environmental%20Toxin%20Series.pdf>

Table of Contents Smith Circuits

1. Understanding the eBook Smith Circuits
 - The Rise of Digital Reading Smith Circuits
 - Advantages of eBooks Over Traditional Books
2. Identifying Smith Circuits
 - Exploring Different Genres
 - Considering Fiction vs. Non-Fiction
 - Determining Your Reading Goals
3. Choosing the Right eBook Platform
 - Popular eBook Platforms
 - Features to Look for in an Smith Circuits
 - User-Friendly Interface
4. Exploring eBook Recommendations from Smith Circuits
 - Personalized Recommendations
 - Smith Circuits User Reviews and Ratings
 - Smith Circuits and Bestseller Lists
5. Accessing Smith Circuits Free and Paid eBooks
 - Smith Circuits Public Domain eBooks
 - Smith Circuits eBook Subscription Services
 - Smith Circuits Budget-Friendly Options
6. Navigating Smith Circuits eBook Formats
 - ePub, PDF, MOBI, and More
 - Smith Circuits Compatibility with Devices
 - Smith Circuits Enhanced eBook Features
7. Enhancing Your Reading Experience
 - Adjustable Fonts and Text Sizes of Smith Circuits
 - Highlighting and Note-Taking Smith Circuits
 - Interactive Elements Smith Circuits
8. Staying Engaged with Smith Circuits

- Joining Online Reading Communities
 - Participating in Virtual Book Clubs
 - Following Authors and Publishers Smith Circuits
9. Balancing eBooks and Physical Books Smith Circuits
- Benefits of a Digital Library
 - Creating a Diverse Reading Collection Smith Circuits
10. Overcoming Reading Challenges
- Dealing with Digital Eye Strain
 - Minimizing Distractions
 - Managing Screen Time
11. Cultivating a Reading Routine Smith Circuits
- Setting Reading Goals Smith Circuits
 - Carving Out Dedicated Reading Time
12. Sourcing Reliable Information of Smith Circuits
- Fact-Checking eBook Content of Smith Circuits
 - Distinguishing Credible Sources
13. Promoting Lifelong Learning
- Utilizing eBooks for Skill Development
 - Exploring Educational eBooks
14. Embracing eBook Trends
- Integration of Multimedia Elements
 - Interactive and Gamified eBooks

Smith Circuits Introduction

Smith Circuits Offers over 60,000 free eBooks, including many classics that are in the public domain. Open Library: Provides access to over 1 million free eBooks, including classic literature and contemporary works. Smith Circuits Offers a vast collection of books, some of which are available for free as PDF downloads, particularly older books in the public domain. Smith Circuits : This website hosts a vast collection of scientific articles, books, and textbooks. While it operates in a legal gray area due to copyright issues, its a popular resource for finding various publications. Internet Archive for Smith Circuits : Has an extensive collection of digital content, including books, articles, videos, and more. It has a massive library of free

downloadable books. Free-eBooks Smith Circuits Offers a diverse range of free eBooks across various genres. Smith Circuits Focuses mainly on educational books, textbooks, and business books. It offers free PDF downloads for educational purposes. Smith Circuits Provides a large selection of free eBooks in different genres, which are available for download in various formats, including PDF. Finding specific Smith Circuits, especially related to Smith Circuits, might be challenging as theyre often artistic creations rather than practical blueprints. However, you can explore the following steps to search for or create your own Online Searches: Look for websites, forums, or blogs dedicated to Smith Circuits, Sometimes enthusiasts share their designs or concepts in PDF format. Books and Magazines Some Smith Circuits books or magazines might include. Look for these in online stores or libraries. Remember that while Smith Circuits, sharing copyrighted material without permission is not legal. Always ensure youre either creating your own or obtaining them from legitimate sources that allow sharing and downloading. Library Check if your local library offers eBook lending services. Many libraries have digital catalogs where you can borrow Smith Circuits eBooks for free, including popular titles. Online Retailers: Websites like Amazon, Google Books, or Apple Books often sell eBooks. Sometimes, authors or publishers offer promotions or free periods for certain books. Authors Website Occasionally, authors provide excerpts or short stories for free on their websites. While this might not be the Smith Circuits full book , it can give you a taste of the authors writing style. Subscription Services Platforms like Kindle Unlimited or Scribd offer subscription-based access to a wide range of Smith Circuits eBooks, including some popular titles.

FAQs About Smith Circuits Books

1. Where can I buy Smith Circuits books? Bookstores: Physical bookstores like Barnes & Noble, Waterstones, and independent local stores. Online Retailers: Amazon, Book Depository, and various online bookstores offer a wide range of books in physical and digital formats.
2. What are the different book formats available? Hardcover: Sturdy and durable, usually more expensive. Paperback: Cheaper, lighter, and more portable than hardcovers. E-books: Digital books available for e-readers like Kindle or software like Apple Books, Kindle, and Google Play Books.
3. How do I choose a Smith Circuits book to read? Genres: Consider the genre you enjoy (fiction, non-fiction, mystery, sci-fi, etc.). Recommendations: Ask friends, join book clubs, or explore online reviews and recommendations. Author: If you like a particular author, you might enjoy more of their work.
4. How do I take care of Smith Circuits books? Storage: Keep them away from direct sunlight and in a dry environment. Handling: Avoid folding pages, use bookmarks, and handle them with clean hands. Cleaning: Gently dust the covers

- and pages occasionally.
5. Can I borrow books without buying them? Public Libraries: Local libraries offer a wide range of books for borrowing. Book Swaps: Community book exchanges or online platforms where people exchange books.
 6. How can I track my reading progress or manage my book collection? Book Tracking Apps: Goodreads, LibraryThing, and Book Catalogue are popular apps for tracking your reading progress and managing book collections. Spreadsheets: You can create your own spreadsheet to track books read, ratings, and other details.
 7. What are Smith Circuits audiobooks, and where can I find them? Audiobooks: Audio recordings of books, perfect for listening while commuting or multitasking. Platforms: Audible, LibriVox, and Google Play Books offer a wide selection of audiobooks.
 8. How do I support authors or the book industry? Buy Books: Purchase books from authors or independent bookstores. Reviews: Leave reviews on platforms like Goodreads or Amazon. Promotion: Share your favorite books on social media or recommend them to friends.
 9. Are there book clubs or reading communities I can join? Local Clubs: Check for local book clubs in libraries or community centers. Online Communities: Platforms like Goodreads have virtual book clubs and discussion groups.
 10. Can I read Smith Circuits books for free? Public Domain Books: Many classic books are available for free as they're in the public domain. Free E-books: Some websites offer free e-books legally, like Project Gutenberg or Open Library.

Find Smith Circuits :

the bunker climate atlas of the north atlantic ocean observations environmental toxin series

the brazilian economy growth and development

[the canal bed](#)

the buccaneers operational service with the royal navy and royal air force

the car 1988

the butterfly dance coloring by ardella nathanael

the captains pearl precious gem historical romance 57

~~the caribbean the genesis of a fragmented nationalism~~

the brimstone wedding thorndike large print basic series

~~the bullying problem human horizons series~~

the capital question of china

the bubbly black girl sheds her chameleon skin

the brazers handbook cummings modular program in anthropology

the busy saturday word golden tell-a-tale

the captain zebra regency romance

Smith Circuits :

capricorne tome 3 deliah andreas babelio - Aug 14 2023

web dec 31 2000 déliah est possédée par une idée fixe découvrir en elle un talent spécial un pouvoir paranormal c est pourquoi elle consulte mages voyants et autres médiums

capricorne tome 3 deliah hardcover 21 april 1999 - Jun 12 2023

web apr 21 1999 buy capricorne tome 3 deliah by andreas andreas andreas isbn 9782803614356 from amazon s book store everyday low prices and free delivery on

capricorne tome 3 deliah andreas achat livre - Oct 24 2021

capricorne tome 3 deliah 9782803613373 amazon com books - Apr 10 2023

web capricorne tome 3 deliah achat physique cet album n est plus en stock version capricorne tome 3 capricorne tome 2 capricorne tome 1 vous aimerez

capricorne tome 3 deliah ebay - Jul 01 2022

web aug 27 2016 select the department you want to search in

capricorne tome 3 deliah good no binding lalibrairie - Sep 03 2022

web apr 8 1998 capricorne tome 3 deliah de andreas Éditeur lombard livraison gratuite à 0 01 dès 35 d achat librairie decitre votre prochain livre est là

capricorne tome 3 deliah bubble bd comics et mangas - Feb 25 2022

web read reviews from the world s largest community for readers koziorożec to kolejne po słynnym rorku dzieło andreaa jak zwykle w przypadku tytułów teg

capricorne tome 3 deliah by andreas 1999 04 21 amazon com - May 31 2022

web buy the kobo ebook book capricorne tome 3 deliah by at indigo ca canada s largest bookstore free shipping and pickup in store on eligible orders

capricorne tome 3 deliah 9782803614356 amazon com au - Oct 04 2022

web available now at abebooks co uk no binding book condition good titre capricorne tome 3 deliah auteurs editeur

capricorne tome 3 deliah indigo books music inc - Apr 29 2022

web select the department you want to search in

capricorne tome 3 deliah french edition kindle comixology - Dec 06 2022

web capricorne tome 3 deliah andreas 2010 03 26 une riche hritire nave et aventureuse ou une sorcire ignorante de l efficacit de ses pouvoirs dliah est possde par une ide fixe

capricorne tome 3 deliah paperback amazon in - Feb 08 2023

web apr 21 1999 feuilletez un extrait de capricorne tome 3 deliah de andreas 1ère librairie en ligne spécialisée bd envois rapides et soignés

capricorne tome 3 deliah hardcover 21 april 1999 amazon in - Nov 24 2021

web acheter capricorne tome 3 deliah de andreas avec livraison gratuite sur lireka com une riche héritière naïve et aventureuse ou une sorcière ignorante de l efficacaci

capricorne tome 3 deliah Éditions le lombard - Mar 09 2023

web amazon in buy capricorne tome 3 deliah book online at best prices in india on amazon in read capricorne tome 3 deliah book reviews author details and more

amazon fr capricorne tome 3 deliah andréas livres - Jul 13 2023

web noté 5 retrouvez capricorne tome 3 deliah et des millions de livres en stock sur amazon fr achetez neuf ou d occasion

deliah capricorne 3 by andreas goodreads - Jan 27 2022

web le défi graphique et narratif d andreas

capricorne tome 3 deliah andreas librairie eyrolles - Dec 26 2021

web amazon in buy capricorne tome 3 deliah book online at best prices in india on amazon in read capricorne tome 3 deliah book reviews author details and more

capricorne tome 3 deliah by andreas 1999 04 21 album - Mar 29 2022

web mais de mystérieux individus tentent de l enlever et son père a demandé à l astrologue capricorne d assurer sa sécurité la tâche ne sera pas facile il lui faudra non

capricorne tome 3 deliah de andreas album livre decitre - Aug 02 2022

web dec 10 2022 find many great new used options and get the best deals for capricorne tome 3 deliah at the best online prices at ebay free shipping for many products

capricorne tome 3 deliah sexybots - Nov 05 2022

web capricorne tome 3 deliah on amazon com au free shipping on eligible orders capricorne tome 3 deliah

capricorne tome 3 deliah bdfugue com - Jan 07 2023

web mar 26 2010 amazon com capricorne tome 3 deliah french edition ebook andreas andreas kindle store

capricorne 3 deliah bedetheque - May 11 2023

web capricorne tome 3 deliah on amazon com free shipping on qualifying offers capricorne tome 3 deliah

[orcad pspice lab exam questions vps huratips com](#) - Nov 30 2021

web analog design and simulation using orcad capture and pspice the leader lab what if you could become a great manager leader and communicator faster the leader lab is a high speed leadership intensive equipping managers with the swiss army knife of skills that help you handle the toughest situations that come your way

orcadpspicelabexamquestions ftp galaxy - Dec 12 2022

web electronic experiences in a virtual lab complete pcb design using orcad capture and layout proceedings a guide to the project management body of knowledge asian test symposium fundamentals of power electronics clinical neuropsychology study guide and board review pspice for circuit theory and electronic devices circuit systems with

[orcad wikipedia](#) - Jan 13 2023

web orcad pspice orcad ee pspice is a spice circuit simulator application for the simulation and verification of analog and mixed signal circuits pspice is an acronym for personal simulation program with integrated circuit emphasis

what is orcad pspice answers - Jun 06 2022

web what are objective question in pspice the objective question in pspice what is schematic editor show step by steps how to draw a circuit show how to open the pspice file

download solutions orcad pspice lab exam questions - May 05 2022

web jul 15 2023 orcad pspice lab exam questions the illustrated guide to pspice for windows feb 14 2023 a technicians and technologist s guide to using pspice circuit pspice and circuit analysis sep 09 2022 journal of the audio engineering society sep 16 2020 directory of members published as pt 2 of apr 1954 issue proceedings jun

[orcad pspice lab exam questions videos bookbrush com](#) - Oct 10 2022

web orcad pspice lab exam questions 1 orcad pspice lab exam questions reconfigurable computing architectures tools and applications electrical electronics abstracts the sun to the earth and beyond 5th european conference of the international federation for medical and biological engineering 14 18 september 2011

orcad pspice lab exam questions 2023 - May 17 2023

web get the orcad pspice lab exam questions partner that we provide here and check out the link you could buy lead orcad pspice lab exam questions or get it as soon as feasible you could quickly download this orcad pspice lab exam questions after *orcad pspice designer pspice* - Apr 16 2023

web orcad pspice and orcad capture combine to provide industry leading schematic entry native analog mixed signal and

analysis engines to deliver a complete circuit simulation and verification solution

free orcad pspice lab exam questions - Jun 18 2023

web orcad pspice lab exam questions electronics lab manual volume 2 feb 26 2021 this book is evolved from the experience of the author who taught all lab courses in his three decades of teaching in various universities in india the objective of this lab manual is to provide information to

orcad pspice lab exam questions - Apr 04 2022

web orcad pspice lab exam questions proceedings the forgotten foundations of fundraising pspice for digital communications engineering analog design and simulation using orcad capture and pspice introduction to pspice using orcad for circuits and electronics telsiks 2001 use of computerized gait analysis in neurological pathologies

read free orcad pspice lab exam questions pdf file free ds1 - Feb 02 2022

web jul 20 2023 questions and answers mcqs quiz practice tests with answer key pdf electrical circuit analysis question bank quick study guide includes revision guide for problem solving

orcad pspice lab exam questions pdf iriss ac - Sep 21 2023

web orcad pspice lab exam questions 3 3 how to use the software and who need background knowledge of the pcb design process beginning to end coverage of the printed circuit board design process information is presented in the exact order a circuit and pcb are designed over 400 full color illustrations including extensive use

orcad pspice lab exam questions online kptm edu my - Jan 01 2022

web orcad pspice lab exam questions ucsi university campus malaysia malaysia university download updatestar updatestar com ucsi university campus malaysia malaysia university may 8th 2018 ucsi university an overview built on the principles of audacity perseverance integrity and excellence ucsi university is a leading institution of

orcad pspice lab exam questions sgmoji youthopia sg - Feb 14 2023

web orcad pspice lab exam questions author august blatt from sgmoji youthopia sg subject orcad pspice lab exam questions keywords questions pspice exam orcad lab created date 3 11 2023 11 04 55 am

free pdf download orcad pspice lab exam questions - Mar 15 2023

web using pspice each experiment has aim components and equipment required theory circuit diagram tables graphs alternate circuits answered questions and troubleshooting techniques answered viva voce questions and solved examination questions given at the end of each experiment will be very helpful for the students

introduction to orcad pspice ea and ham medium - Jul 19 2023

web aug 24 2021 introduction to orcad pspice what is spice uses and applications of pspice how to install pspice examples extra resources 1 introduction to orcad pspice the design of any circuit board requires very specific software

orcad pspice and circuit analysis jul 26 2023 - Oct 22 2023

web approach and industry sector introduction to pspice using orcad for circuits and electronics apr 23 2023 this book uses a top down approach to introduce readers to the spice simulator it begins by describing techniques for simulating circuits then presents the various spice and orcad commands and their

orcad pspice lab exam questions pdf free tax clone ortax - Mar 03 2022

web the text presents the background and tools necessary for at least a qualitative understanding of new and projected advances in microelectronics the author provides helpful pspice simulations and associated procedures

orcadpspicelabexamquestions kpdashboard aidscontrol gov - Jul 07 2022

web introduction to pspice using orcad for circuits and electronics introduction to pspice manual for electric circuits using orcad release 9 2 designing embedded systems with pic microcontrollers

orcad pspice lab exam questions orientation sutd edu - Nov 11 2022

web obtain and configure orcad pspice lab exam questions therefore easy you may not demand more interval to devote to go to the ebook launch as adeptly as search for them this orcad pspice lab exam questions as one of the bulk operating sellers here will wholly be joined by the best alternatives to review

orcad pspice lab exam questions secure4 khronos - Aug 08 2022

web jun 20 2023 this orcad pspice lab exam questions as one of the greater part operational sellers here will thoroughly be associated with by the best options to review this is also one of the variables by obtaining the digital documents of this orcad pspice lab exam questions by online

orcad pspice lab exam questions renewalcc - Aug 20 2023

web orcad pspice lab exam questions 1 orcad pspice lab exam questions analog design and simulation using orcad capture and pspice the leader lab circuit analysis orcad pspice lab exam questions downloaded from renewalcc com by guest osborn laylah delmar pub anyone involved in circuit design that needs the practical know

orcad pspice lab exam questions pdf thebuysideclub - Sep 09 2022

web 2 orcad pspice lab exam questions 2023 05 01 orcad pspice lab exam questions downloaded from thebuysideclub com by guest salazar sasha computers in education journal cengage learning provides practical examples of circuit design and analysis using pspice matlab and the smith chart this book presents the three

[alia bhatt pregnancy image bollywood actress ranbir](#) - Jul 17 2022

web oct 28 2023 alia bhatt pregnancy image bollywood actress ranbir kapoor tending aaliyabhatt tending movie bollywood falakbeauty whatsappstatus bts dressdesign

indian actress face close up wallpapers wallpaper cave - Jun 27 2023

web tons of awesome indian actress face close up wallpapers to download for free you can also upload and share your favorite indian actress face close up wallpapers hd wallpapers and background images

[inside picture of katrina kaif alia bhatt and kareena kapoor from](#) - Dec 22 2022

web 5 hours ago bollywood celebrities attended the grand opening of jio world plaza with katrina kaif alia bhatt and kareena kapoor khan spotted together fans drew connections between the trio s relationship

[bollywood actress old and recent photos shorts youtube](#) - Mar 13 2022

web oct 26 2023 bollywood actress old and recent photos shorts actressesold recent viral kareena katrinakaif priyankachopra aliabhatt

[actress deep fake](#) - Aug 18 2022

web apr 6 2020 alia bhatt deep fake video 01 ႁႃႇႇႇႇႇႇ ႃႇႇႇ ႆႃႇႇႇႇႇႇ april 06 2020 link for the deep fake videos images

actress 1080p 2k 4k 5k hd wallpapers free download - Aug 30 2023

web ana de armas actress women 3508x2338px women scarlett johansson actress black widow zippers iron man 2 people actresses hd art actress 1080p 2k 4k 5k hd wallpapers free download these wallpapers are free download for pc laptop

iphone android phone and ipad desktop

[adult deepfakes of indian film stars thrive online](#) - Apr 25 2023

web nov 10 2020 india news new delhi several adult content websites are using deepfake technology to show indian film stars including those in bollywood in explicit videos

bollywood actress hot photos sexy bikini pics pictures of bollywood - Feb 09 2022

web pics bollywood actresses who sizzled in bikinis as the summer heat scorches us our bollywood actresses are not unaffected by the sun these beautiful actresses walked the sands in bikinis and

[kareena kapoor beautiful actress pregnancy image saif ali](#) - Jun 15 2022

web kareena kapoor beautiful actress pregnancy image saif ali khan bollywood karenakapoor saifalikhan trending music viral filme duniya armaanmalik gamin

what are fake images of actresses quora - Jul 29 2023

web bot fake images of actresses refer to images that have been digitally altered or created to depict a specific actress in a way that is not real or accurate these images can be used for a variety of purposes including spreading misinformation pra

web jyoti karma believer married mum focused life lover proud hindu author has 81 answers and 367

bollywood actor photos bollywood actress pictures bollywood - Mar 25 2023

web check out the trending and latest bollywood celebrities hd photos bollywood actor photos hindi actress pictures only on filmibeat photos

indian actress photos download the best free indian actress - Jan 23 2023

web download and use 10 000 indian actress stock photos for free thousands of new images every day completely free to use high quality videos and images from pexels

nushrratt bharuccha radiates glamour in mesmerising kaftan dress - Sep 18 2022

web oct 31 2023 11 25pm ist source etimes in nushrratt bharuccha is undoubtedly a style icon of bollywood shelling out fashion goals on social media the actress dropped a series of pictures of

hot and sexy viral reels of xxx gandii baat star aabha paul that - Feb 21 2023

web dec 7 2022 xxx mastram and gandii baat actress aabha paul who is an active instagram user has been making headlines because of her sizzling hot social media posts she often grabs attention with her sexy and toned body that she flaunts in social media reels images source aabha paul clothing instagram

bollywood celebrity hd wallpapers latest bollywood actresses - May 27 2023

web bollywood celebrity hd wallpapers download the latest hindi actresses actors wallpapers in hd free for devices like mobiles desktops and tablets available screen resolutions to download are

13 bollywood heroines who became victims of fake morphed photos - Sep 30 2023

web oct 28 2014 13 bollywood heroines who became victims of fake morphed photos bollywood actresses are fodder for juicy news pieces and no wonder they are often the victims of scandalous news and sensational link ups and with the gigantic growth of internet as a means of communication they suffer more sometimes becoming the subje □□

bollywood actress photos download the best free bollywood actress - Nov 20 2022

web download and use 1 000 bollywood actress stock photos for free thousands of new images every day completely free to use high quality videos and images from pexels

ananya panday celebrates her 25th birthday in maldives photos - May 15 2022

web 1 day ago ananya made her bollywood debut with student of the year 2 in 2019 the film also starred tiger shroff and tara sutaria in a career spanning over four years ananya has featured in a slew of films including pati patni aur woh khaali peeli gehraiyaan liger and dream girl 2 besides her debut film

sexy reels of xxx gandii baat star aabha paul that will dna - Apr 13 2022

web dec 06 2022 11 15 pm ist xxx mastram and gandii baat star aabha paul who made headlines with he bold avatars in the series has been raising the temperature on social media with her sexy reels

tv actress hot photo tv actress sexy pics bold pictures of - Oct 20 2022

web apr 27 2018 bold pictures of sultry indian tv actresses photos find out the latest pictures still from movies of bold pictures of sultry indian tv actresses on etimes photogallery

