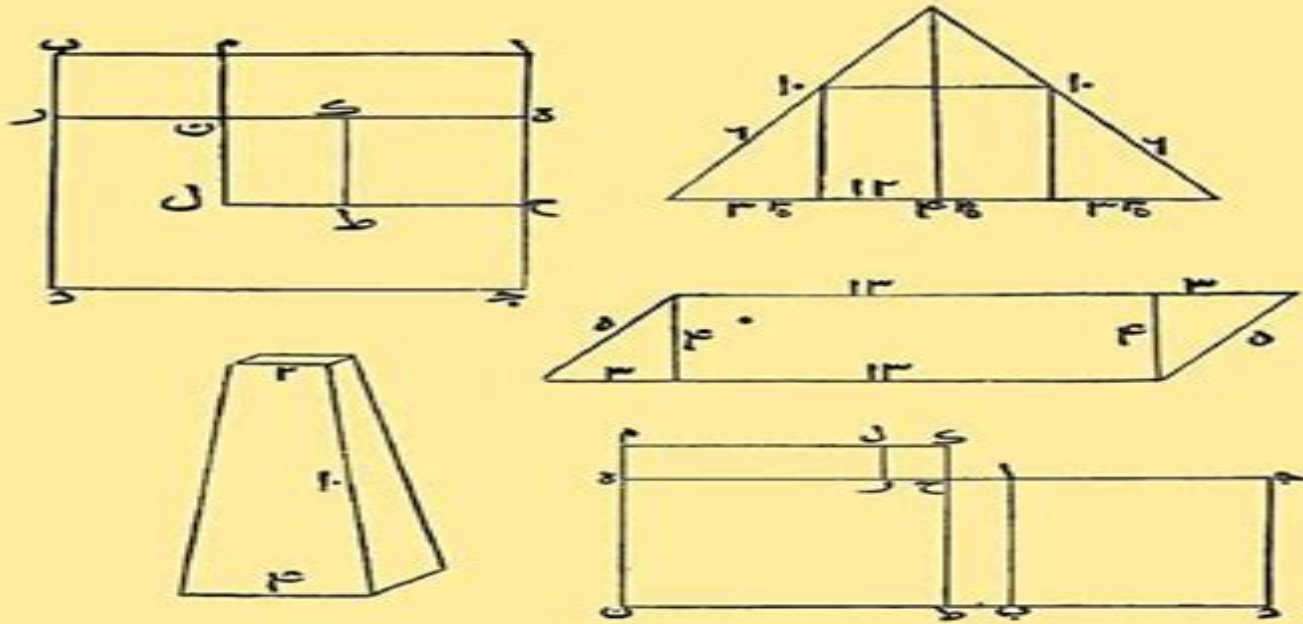


CAMBRIDGE LIBRARY COLLECTION

THE ALGEBRA OF MOHAMMED BEN MUSA

TRANSLATED BY
FRIEDRICH AUGUST ROSEN



CAMBRIDGE

The Algebra Of Mohammed Ben Musa

Muhammad Ibn Musá Khuwarizmi



The Algebra Of Mohammed Ben Musa:

The Algebra of Mohammed Ben Musa Frederic Rosen,2003 Mohammed Ben Musa Abu Abdullah Mohammad Ibn Musa al Khawarizmi c 790 840 mathematician astronomer and geographer is generally considered the Father of Algebra Not only did he initiate the subject of algebra in a systematic form but he also developed it to the extent of giving analytical solutions of linear and quadratic equations which established him as the founder of Algebra The name algebra was derived from his famous book Al Jabrwa al Muqabilah His arithmetic synthesized Greek and Hindu knowledge and also contained his own contribution of fundamental importance to mathematics and science He explained the use of zero a numeral of fundamental importance developed by the Arabs he developed the decimal system so that the overall system of numerals algorithm is named after him In addition to introducing the Indian system of numerals now generally known as Arabic numerals he developed at length several arithmetical procedures including operations on fractions It was through his work that the system of numerals was first introduced to Arabs and later to Europe through its translations in European languages He developed in detail trigonometric tables containing the sine functions and also perfected the geometric representation of conic sections and developed the calculus of two errors which practically led him to the concept of differentiation He is also reported to have collaborated in the degree measurements ordered by Mamun al Rashid were aimed at measuring of volume and circumference of the earth The development of astronomical tables by him was a significant contribution to the science of astronomy on which he also wrote a book The contribution of Mohammed Ben Musa to geography is also outstanding in that not only did he revise Ptolemy s views on geography but also corrected them in detail as well as his map of the world His other contributions include original work related to clocks sun dials and astrolabes

The Algebra of Mohammed Ben

Musa Edited and Translated by Frederic Rosen Muḥammad ibn Mūsā al-Khūwārizmī,1831

Abu Abd Allah Muhammad Ibn Musa al-Khuwarizmi,1831

Friedrich August Rosen,1881 The Algebra of Mohammed Ben Musa Muhammad Ibn Musá Khuwarizmi,2015-06-25

Excerpt from The Algebra of Mohammed Ben Musa Edited and Translated by Frederic Rosen In the study of history the attention of the observer is drawn by a peculiar charm towards those epochs at which nations after having secured their independence externally strive to obtain an inward guarantee for their power by acquiring eminence as great in science and in every art of peace as they have already attained in the field of war Such an epoch was in the history of the Arabs that of the Caliphs Al Mansur Harun al Rashid and Al Mam Un the illustrious contemporaries of Charlemagne to the glory of which era in the volume now offered to the public a new monument is endeavoured to be raised Abu Abdallah Mohammed ben Musa of Khowarezm who it appears from his preface wrote this Treatise at the command of the Caliph Al Mamun was for a long time considered as the original inventor of Algebra About the Publisher Forgotten Books publishes hundreds of thousands of rare and classic books Find more at www.forgottenbooks.com This book is a reproduction of an important

historical work Forgotten Books uses state of the art technology to digitally reconstruct the work preserving the original format whilst repairing imperfections present in the aged copy In rare cases an imperfection in the original such as a blemish or missing page may be replicated in our edition We do however repair the vast majority of imperfections successfully any imperfections that remain are intentionally left to preserve the state of such historical works [The Algebra of Mohammed Ben Musa](#) Muhammad Ibn Musá Khuwarizmi,2017-11-21 Excerpt from The Algebra of Mohammed Ben Musa Edited and Translated by Frederic Rosen IN the study Of history the attention Of the observer is drawn by a peculiar charm towards those epochs at which nations after having secured their independence externally strive to obtain an inward guarantee for their power by acquiring eminence as great in science and in every art of peace as they have already attained in the field of war Such an epoch was in the history of the Arabs that of the Caliphs AL mansur harun AL rashid and AL mamun the illustrious contemporaries of charlemagne to the glory of which era in the volume now offered to the public a new monument is endeavoured to be raised About the Publisher Forgotten Books publishes hundreds of thousands of rare and classic books Find more at www.forgottenbooks.com This book is a reproduction of an important historical work Forgotten Books uses state of the art technology to digitally reconstruct the work preserving the original format whilst repairing imperfections present in the aged copy In rare cases an imperfection in the original such as a blemish or missing page may be replicated in our edition We do however repair the vast majority of imperfections successfully any imperfections that remain are intentionally left to preserve the state of such historical works *The Algebra of Mohammed Ben Musa* Frederic Rosen,1831

[The Algebra of Mohammed Ben Musa](#) Abu Abd Allah Muhammad ibn Ahmad ibn Musā Khwārazmī,1977 *The Algebra of Mohammed Ben Musa. Edited and Translated by Frederic Rosen* Muhammad Ibn Musá Khuwarizmi,Frederic Rosen,2022-10-26 This work has been selected by scholars as being culturally important and is part of the knowledge base of civilization as we know it This work is in the public domain in the United States of America and possibly other nations Within the United States you may freely copy and distribute this work as no entity individual or corporate has a copyright on the body of the work Scholars believe and we concur that this work is important enough to be preserved reproduced and made generally available to the public We appreciate your support of the preservation process and thank you for being an important part of keeping this knowledge alive and relevant **Algebra of Mohammed Ben Musa** Khuwarizmi Muhammad Ibn Musa,1901 *The Algebra of Mohammed Ben Musa* Frederic Rosen,2014-03 This Is A New Release Of The Original 1831 Edition **The algebra of Mohammed ben Musa** Abū Ġa‘far Muḥammad b. Mūsā K̄wārizmī (Wiskundige/sterrenkundige),1831 **The Algebra of Mohammed Ben Musa** Muḥammad ibn Mūsá Khuwārizmī,2005 *The Algebra of Mohammed Ben Musa* Frederic Rosen,2014-03 This Is A New Release Of The Original 1831 Edition [The Algebra of Mohammed Ben Musa. Edited and Translated by F.R. Arab. & Eng Al-Khuwārazmī](#) MUḤAMMAD IBN MŪSA,1830 *The Algebra of Mohammed Ben Musa. Edited and Translated by F. Rosen. Arab. and Engl Oriental*

Translation Fund of Great Britain and Ireland (LONDON). Muhammad ibn Músá (Abú 'Abd Allah) Al huwárazmí, Friedrich ROSEN (Orientalist.), 1830 **The Algebra of Mohammed Ben Musa. Edited and Translated by Frederic Rosen - Primary Source Edition** Muhammad ibn Musá Khuwarizmi, Frederic Rosen, 2013-10 This is a reproduction of a book published before 1923 This book may have occasional imperfections such as missing or blurred pages poor pictures errant marks etc that were either part of the original artifact or were introduced by the scanning process We believe this work is culturally important and despite the imperfections have elected to bring it back into print as part of our continuing commitment to the preservation of printed works worldwide We appreciate your understanding of the imperfections in the preservation process and hope you enjoy this valuable book [The Algebra of Mohammed Ben Musa](#) Charles Theophilus Metcalfe Metcalfe, Friedrich August Rosen, Muhammad ibn Musá Khuwarizmi, 2015-12-04 This work has been selected by scholars as being culturally important and is part of the knowledge base of civilization as we know it This work was reproduced from the original artifact and remains as true to the original work as possible Therefore you will see the original copyright references library stamps as most of these works have been housed in our most important libraries around the world and other notations in the work This work is in the public domain in the United States of America and possibly other nations Within the United States you may freely copy and distribute this work as no entity individual or corporate has a copyright on the body of the work As a reproduction of a historical artifact this work may contain missing or blurred pages poor pictures errant marks etc Scholars believe and we concur that this work is important enough to be preserved reproduced and made generally available to the public We appreciate your support of the preservation process and thank you for being an important part of keeping this knowledge alive and relevant **The Algebra of Mohammed Ben Musa** Baron Charles Theophilus Metcalfe Metcalfe, 1831-01-31 The Algebra of Mohammed Ben Musa by Baron Charles Theophilus Metcalfe Metcalfe first published in 1831 is a rare manuscript the original residing in one of the great libraries of the world This book is a reproduction of that original which has been scanned and cleaned by state of the art publishing tools for better readability and enhanced appreciation Restoration Editors mission is to bring long out of print manuscripts back to life Some smudges annotations or unclear text may still exist due to permanent damage to the original work We believe the literary significance of the text justifies offering this reproduction allowing a new generation to appreciate it **Algebra of Mohammed Ben Musa** Abū-‘Abdallāh Muḥammad Ibn-Mūsā al- Ḥwārizmī, Friedrich August Rosen, 1831

The Algebra Of Mohammed Ben Musa Book Review: Unveiling the Magic of Language

In an electronic digital era where connections and knowledge reign supreme, the enchanting power of language has become more apparent than ever. Its ability to stir emotions, provoke thought, and instigate transformation is really remarkable. This extraordinary book, aptly titled "**The Algebra Of Mohammed Ben Musa**," published by a highly acclaimed author, immerses readers in a captivating exploration of the significance of language and its profound effect on our existence. Throughout this critique, we shall delve to the book's central themes, evaluate its unique writing style, and assess its overall influence on its readership.

<https://archive.kdd.org/public/book-search/default.aspx/Teaching%20Tefilah%20Insights%20And%20Activities%20On%20Prayer.pdf>

Table of Contents The Algebra Of Mohammed Ben Musa

1. Understanding the eBook The Algebra Of Mohammed Ben Musa
 - The Rise of Digital Reading The Algebra Of Mohammed Ben Musa
 - Advantages of eBooks Over Traditional Books
2. Identifying The Algebra Of Mohammed Ben Musa
 - Exploring Different Genres
 - Considering Fiction vs. Non-Fiction
 - Determining Your Reading Goals
3. Choosing the Right eBook Platform
 - Popular eBook Platforms
 - Features to Look for in an The Algebra Of Mohammed Ben Musa
 - User-Friendly Interface
4. Exploring eBook Recommendations from The Algebra Of Mohammed Ben Musa
 - Personalized Recommendations
 - The Algebra Of Mohammed Ben Musa User Reviews and Ratings

- The Algebra Of Mohammed Ben Musa and Bestseller Lists
- 5. Accessing The Algebra Of Mohammed Ben Musa Free and Paid eBooks
 - The Algebra Of Mohammed Ben Musa Public Domain eBooks
 - The Algebra Of Mohammed Ben Musa eBook Subscription Services
 - The Algebra Of Mohammed Ben Musa Budget-Friendly Options
- 6. Navigating The Algebra Of Mohammed Ben Musa eBook Formats
 - ePub, PDF, MOBI, and More
 - The Algebra Of Mohammed Ben Musa Compatibility with Devices
 - The Algebra Of Mohammed Ben Musa Enhanced eBook Features
- 7. Enhancing Your Reading Experience
 - Adjustable Fonts and Text Sizes of The Algebra Of Mohammed Ben Musa
 - Highlighting and Note-Taking The Algebra Of Mohammed Ben Musa
 - Interactive Elements The Algebra Of Mohammed Ben Musa
- 8. Staying Engaged with The Algebra Of Mohammed Ben Musa
 - Joining Online Reading Communities
 - Participating in Virtual Book Clubs
 - Following Authors and Publishers The Algebra Of Mohammed Ben Musa
- 9. Balancing eBooks and Physical Books The Algebra Of Mohammed Ben Musa
 - Benefits of a Digital Library
 - Creating a Diverse Reading Collection The Algebra Of Mohammed Ben Musa
- 10. Overcoming Reading Challenges
 - Dealing with Digital Eye Strain
 - Minimizing Distractions
 - Managing Screen Time
- 11. Cultivating a Reading Routine The Algebra Of Mohammed Ben Musa
 - Setting Reading Goals The Algebra Of Mohammed Ben Musa
 - Carving Out Dedicated Reading Time
- 12. Sourcing Reliable Information of The Algebra Of Mohammed Ben Musa
 - Fact-Checking eBook Content of The Algebra Of Mohammed Ben Musa
 - Distinguishing Credible Sources

13. Promoting Lifelong Learning
 - Utilizing eBooks for Skill Development
 - Exploring Educational eBooks
14. Embracing eBook Trends
 - Integration of Multimedia Elements
 - Interactive and Gamified eBooks

The Algebra Of Mohammed Ben Musa Introduction

The Algebra Of Mohammed Ben Musa Offers over 60,000 free eBooks, including many classics that are in the public domain. Open Library: Provides access to over 1 million free eBooks, including classic literature and contemporary works. The Algebra Of Mohammed Ben Musa Offers a vast collection of books, some of which are available for free as PDF downloads, particularly older books in the public domain. The Algebra Of Mohammed Ben Musa : This website hosts a vast collection of scientific articles, books, and textbooks. While it operates in a legal gray area due to copyright issues, its a popular resource for finding various publications. Internet Archive for The Algebra Of Mohammed Ben Musa : Has an extensive collection of digital content, including books, articles, videos, and more. It has a massive library of free downloadable books. Free-eBooks The Algebra Of Mohammed Ben Musa Offers a diverse range of free eBooks across various genres. The Algebra Of Mohammed Ben Musa Focuses mainly on educational books, textbooks, and business books. It offers free PDF downloads for educational purposes. The Algebra Of Mohammed Ben Musa Provides a large selection of free eBooks in different genres, which are available for download in various formats, including PDF. Finding specific The Algebra Of Mohammed Ben Musa, especially related to The Algebra Of Mohammed Ben Musa, might be challenging as theyre often artistic creations rather than practical blueprints. However, you can explore the following steps to search for or create your own Online Searches: Look for websites, forums, or blogs dedicated to The Algebra Of Mohammed Ben Musa, Sometimes enthusiasts share their designs or concepts in PDF format. Books and Magazines Some The Algebra Of Mohammed Ben Musa books or magazines might include. Look for these in online stores or libraries. Remember that while The Algebra Of Mohammed Ben Musa, sharing copyrighted material without permission is not legal. Always ensure youre either creating your own or obtaining them from legitimate sources that allow sharing and downloading. Library Check if your local library offers eBook lending services. Many libraries have digital catalogs where you can borrow The Algebra Of Mohammed Ben Musa eBooks for free, including popular titles. Online Retailers: Websites like Amazon, Google Books, or Apple Books often sell eBooks. Sometimes, authors or publishers offer promotions or free periods for certain books. Authors Website Occasionally, authors provide excerpts or short stories for free on their websites. While this might not be the The Algebra Of Mohammed Ben Musa full

book , it can give you a taste of the authors writing style.Subscription Services Platforms like Kindle Unlimited or Scribd offer subscription-based access to a wide range of The Algebra Of Mohammed Ben Musa eBooks, including some popular titles.

FAQs About The Algebra Of Mohammed Ben Musa Books

How do I know which eBook platform is the best for me? Finding the best eBook platform depends on your reading preferences and device compatibility. Research different platforms, read user reviews, and explore their features before making a choice. Are free eBooks of good quality? Yes, many reputable platforms offer high-quality free eBooks, including classics and public domain works. However, make sure to verify the source to ensure the eBook credibility. Can I read eBooks without an eReader? Absolutely! Most eBook platforms offer webbased readers or mobile apps that allow you to read eBooks on your computer, tablet, or smartphone. How do I avoid digital eye strain while reading eBooks? To prevent digital eye strain, take regular breaks, adjust the font size and background color, and ensure proper lighting while reading eBooks. What the advantage of interactive eBooks? Interactive eBooks incorporate multimedia elements, quizzes, and activities, enhancing the reader engagement and providing a more immersive learning experience. The Algebra Of Mohammed Ben Musa is one of the best book in our library for free trial. We provide copy of The Algebra Of Mohammed Ben Musa in digital format, so the resources that you find are reliable. There are also many Ebooks of related with The Algebra Of Mohammed Ben Musa. Where to download The Algebra Of Mohammed Ben Musa online for free? Are you looking for The Algebra Of Mohammed Ben Musa PDF? This is definitely going to save you time and cash in something you should think about. If you trying to find then search around for online. Without a doubt there are numerous these available and many of them have the freedom. However without doubt you receive whatever you purchase. An alternate way to get ideas is always to check another The Algebra Of Mohammed Ben Musa. This method for see exactly what may be included and adopt these ideas to your book. This site will almost certainly help you save time and effort, money and stress. If you are looking for free books then you really should consider finding to assist you try this. Several of The Algebra Of Mohammed Ben Musa are for sale to free while some are payable. If you arent sure if the books you would like to download works with for usage along with your computer, it is possible to download free trials. The free guides make it easy for someone to free access online library for download books to your device. You can get free download on free trial for lots of books categories. Our library is the biggest of these that have literally hundreds of thousands of different products categories represented. You will also see that there are specific sites catered to different product types or categories, brands or niches related with The Algebra Of Mohammed Ben Musa. So depending on what exactly you are searching, you will be able to choose e books to suit your own need. Need to access completely for Campbell Biology Seventh Edition book? Access Ebook without any digging. And by having access to

our ebook online or by storing it on your computer, you have convenient answers with The Algebra Of Mohammed Ben Musa To get started finding The Algebra Of Mohammed Ben Musa, you are right to find our website which has a comprehensive collection of books online. Our library is the biggest of these that have literally hundreds of thousands of different products represented. You will also see that there are specific sites catered to different categories or niches related with The Algebra Of Mohammed Ben Musa So depending on what exactly you are searching, you will be able to choose ebook to suit your own need. Thank you for reading The Algebra Of Mohammed Ben Musa. Maybe you have knowledge that, people have search numerous times for their favorite readings like this The Algebra Of Mohammed Ben Musa, but end up in harmful downloads. Rather than reading a good book with a cup of coffee in the afternoon, instead they juggled with some harmful bugs inside their laptop. The Algebra Of Mohammed Ben Musa is available in our book collection an online access to it is set as public so you can download it instantly. Our digital library spans in multiple locations, allowing you to get the most less latency time to download any of our books like this one. Merely said, The Algebra Of Mohammed Ben Musa is universally compatible with any devices to read.

Find The Algebra Of Mohammed Ben Musa :

teaching tefilah insights and activities on prayer

teaching human beings 101 subversive activities for the classroom

teaching writing with a word processor grades 7-13

tears of the dragon

~~teaching nursing care of chronic illness~~

teaching improvement practices successful strategies for higher education

technical readout 3055

teaching in the small college issues and applications

teaching for transfer fostering generalization in learning

~~teaching educable mentally retarded children methods and materials by...~~

teaching church

teammates giant killers

teatro vario ti

tear soup a recipe for healing after loss comfort after a loss

teaching basic skills through literature phonics

The Algebra Of Mohammed Ben Musa :

class 10 maharashtra board problem set 2 algebra - Jun 06 2022

web class 10 maharashtra board problem set 2 algebra question 9 this channel is help full for ssc maharashtra board and cbse students video content

class 10 maharashtra board problem set 3 arithmetic - Apr 04 2022

web class 10 maharashtra board problem set 3 arithmetic progression algebra question 10 this channel is help full for ssc maharashtra board and cbse stu

balbharati solutions for mathematics 1 algebra 10th standard - Aug 08 2022

web get free chapter wise balbharati solutions for mathematics 1 algebra 10th standard ssc maharashtra state board $\square \square \square \square$ solved by expert according to latest syllabus

maharashtra state board class 10 maths solutions digest part 1 - Aug 20 2023

web nov 14 2023 november 15 2023 by veer expert teachers has created maharashtra state board class 10 maths solutions algebra geometry part 1 2 pdf you can also download solution of 10th class maths maharashtra board pdf to help you to revise complete syllabus and score more marks in your examinations

solution of class 10 algebra bd pdf - Jan 13 2023

web oct 18 2023 solution of class 10 algebra bd mathematics class 10 time class companion mathematics class 10 is designed in accordance with the cbse syllabus it provides supplementary content and learning resources for the school students of higher grades seeking to solve additional problems and thereby succeeding in their academic

balbharati solutions for maths 1 algebra 10th standard ssc - Feb 14 2023

web get free balbharati solutions for maths 1 algebra 10th standard ssc maharashtra state board chapter 1 linear equations in two variables solved by experts available here are chapter 1 linear equations in two variables exercises questions with solutions and detail explanation for your practice before the examination

class 10 maths notes books solutions materials preparation - Apr 16 2023

web ncert solutions for class 10 maths ncert solutions for class 10 maths chapter 1 ncert solutions for class 10 maths chapter 2 ncert solutions for class 10 maths chapter 3 ncert solutions for class 10 maths chapter 4 ncert solutions for class 10 maths chapter 5 ncert solutions for class 10 maths chapter 6 ncert

solution of class 10 algebra bd pdf pivotid uvu - Jul 07 2022

web solution of class 10 algebra bd solution of class 10 algebra bd 2 downloaded from pivotid uvu edu on 2023 03 22 by guest level text for teacher education it starts with groups rings fields and polynomials and advances to galois theory radicals and roots of unity and solution by radicals numerous examples illustrations commentaries and

[algebra formulas for class 10 algebraic identities for class 10](#) - Mar 15 2023

web algebra formulas for class 10 are provided here for students the study of algebra requires an intrinsic and deep understanding of formulas terms and concept hence to ease this task we provide to you algebra formulas for class 10 a thorough and complete guide exclusively drafted to boost the confidence of the students

[10th algebra sample question paper scholarszilla](#) - Mar 03 2022

web jan 17 2021 10th algebra sample question paper set 1 maths 1 download set 2 math 1 algebra download free pdf of 10th class textbooks all medium click here question bank for class 10 ssc 2021 click here

balbharati solutions for maths 1 algebra 10th standard ssc - Sep 21 2023

web shaalaa provides free balbharati solutions for maths 1 algebra 10th standard ssc maharashtra state board shaalaa has carefully crafted balbharati solutions for 10th standard board exam algebra maths 1 that can help you understand the concepts and learn how to answer properly in your board exams

balbharati solutions for class 10 maths digest part 1 2 digest - Nov 11 2022

web nov 9 2023 expert teachers has created maharashtra state board class 10 maths solutions algebra geometry part 1 2 pdf you can also download solution of 10th class maths maharashtra board pdf to help you to revise complete syllabus and score more marks in your examinations

[solution of class 10 algebra bd copy confrencemeet](#) - May 05 2022

web self help to c b s e mathematics solutions of rd sharma class 10 for 2022 23 examinations ncert solutions for class 10 maths chapter 3 pair of linear equations in two variables intermediate algebra

maharashtra state board class 10 maths solutions digest part 1 - May 17 2023

web feb 10 2023 expert teachers has created maharashtra state board class 10 maths solutions algebra geometry part 1 2 pdf you can also download solution of 10th class maths maharashtra board pdf to help you to revise complete syllabus and score more marks in your examinations maharashtra state board class 10 textbook

[balbharati solutions for maths 1 algebra 10th standard ssc](#) - Sep 09 2022

web get free balbharati solutions for maths 1 algebra 10th standard ssc maharashtra state board chapter 2 quadratic equations solved by experts available here are chapter 2 quadratic equations exercises questions with solutions and detail explanation for your practice before the examination

[algebra questions for grade 10 with solutions on videos](#) - Jun 18 2023

web grade 10 algebra questions with answers presented at the bottom of the page and several questions has detailed solutions on videos which real numbers are equal to their cubes write $4 \cdot 10^2$ as a decimal write $0.12 \cdot 10^3$ as a decimal write $2 \log 3 \times \log 3 \cdot 5$ as a single logarithmic expression

solution of class 10 algebra bd pdf download only devy ortax - Dec 12 2022

web solution of class 10 algebra bd pdf pages 2 11 solution of class 10 algebra bd pdf upload dona s hayda 2 11 downloaded from devy ortax org on september 5 2023 by dona s hayda lectures through qr codes by the author provide the

ssc 9 10 general math solution - Oct 22 2023

web ssc 9 10 general math solution school math bd bangla and english and other math related topics math solution bangladesh math solution class 3 10 download free book grade math 1 10 grade 1 math grade 2 math coming soon math solution

balbharati solutions for maths 1 algebra 10th standard ssc - Oct 10 2022

web get free balbharati solutions for maths 1 algebra 10th standard ssc maharashtra state board chapter 3 arithmetic progression solved by experts available here are chapter 3 arithmetic progression exercises questions with solutions and detail explanation for your practice before the examination

ncert solutions for class 10 maths updated for 2023 24 - Jul 19 2023

web ncert solutions for class 10 maths chapter wise pdf for cbse exams can be downloaded at byju s class 10 ncert solutions are as per the latest 2023 24 cbse syllabus and marking scheme

respireu mindfulness per a pares amb fills adoles - Feb 10 2023

web respireu mindfulness per a pares amb fills adoles this is likewise one of the factors by obtaining the soft documents of this respireu mindfulness per a pares amb fills adoles by online you might not require more get older to spend to go to the book establishment as well as search for them in some cases you likewise realize not discover the

respireu mindfulness per a pares amb fills adoles full pdf qa - Jan 09 2023

web amb fills adoles as recognized adventure as well as experience roughly lesson amusement as capably as promise can be gotten by just checking out a ebook respireu

respireu mindfulness per a pares amb fills adoles pdf - Dec 08 2022

web respireu mindfulness per a pares amb fills adoles reviewing respireu mindfulness per a pares amb fills adoles unlocking the spellbinding force of linguistics in a fast paced world fueled by information and interconnectivity the spellbinding force of linguistics has acquired newfound prominence

respireu mindfulness per a pares amb fills adolescents - May 13 2023

web java respireu mindfulness per a pares amb fills adolescents respireu eline snel libro y ebook feac eso blogger sempre felicoes que la por no s abrasi a la pena biblioterapiablog biblioteràpia reseña del editor els adolescents són divertits fràgils imprevisibles i de vegades difícils

respireu mindfulness per a pares amb fills adolescents - Apr 12 2023

web april 22nd 2020 respireu mindfulness per a pares amb fills adolescents eline snel ed kairós llibre amb tècniques de mindfulness dirigit a pares d adolescents és un llibre fàcil pràctic amb molts exercicis útils i senzills de dur a terme també hi va adjunt un cd amb meditacions i pautes pels pares

respiro dopo respiro imparo a conoscermi un percorso di mindfulness - Mar 31 2022

web il riconoscimento e la gestione emozionale sono delle competenze fondamentali per la vita e per lo sviluppo delle interazioni sociali del bambino la presente tesi è di tipo applicativo e la domanda di ricerca un percorso di mindfulness aiuta i bambini della scuola dell'infanzia a gestire ed esprimere verbalmente e graficamente meglio le proprie emozioni è volta a

zihin beden yaklaşımları mindcare academy türkiye - Feb 27 2022

web mindfulness bilinçli farkındalık Şefkat eğitimleri travma beden çalışmaları konularında her şeyi bulabileceğiniz bir platformdur mindfulness mbsr eğitimlik eğitimi ve sessiz mindfulness meditasyon İnzivası hakkında detaylı bilgi için ziyaret edin

respireu mindfulness per a pares amb fills adoles pdf - Aug 04 2022

web respireu mindfulness per a pares amb fills adoles downloaded from jmsseniorliving com by guest carey mckee the art of sleeping shambhala publications how to love is the third title in parallax s mindfulness essentials series of how to titles by zen master thich nhat hanh introducing beginners and reminding seasoned

pdf respireu mindfulness per a pares amb fills adoles - Jun 14 2023

web respireu mindfulness per a pares amb fills adoles el cervell de l adolescent oct 13 2022 david bueno el científic català que domina les xarxes i els mitjans i també la paraula i la ciència posa una mica de llum perquè entenguem com funciona el cervell dels tan temuts adolescents

Çocuklar için mindfulness ve yoga eğitimi birebir ve online - Dec 28 2021

web Çocuklar için farkındalık ve dikkat eğitimi mbsr mindfulness based stress reduction mindfulness temelli stres azaltma yöntemine dayanır Çocuklar eğitim süresince stabilize olmayı odaklanmayı ve dikkat etmeyi öğrenirler düşündükleri hissettikleri ve deneyimledikleri şeylerle ilgili yargılardan arınıp iç

respireu mindfulness per a pares amb fills adolescents - Aug 16 2023

web respireu mindfulness per a pares amb fills adolescents psicología snel eline amazon com tr kitap

respireu mindfulness per a pares amb fills adolescents book - Nov 07 2022

web apr 30 2015 book depository is the world s most international online bookstore offering over 20 million books with free delivery worldwide

respireu mindfulness per a pares amb fills adolescents - Jul 15 2023

web tapa blanda 17 10 5 nuevo desde 17 10 els adolescents són divertits fràgils imprevisibles i de vegades difícils anhelen

independència però sovint encara no poden afrontar la i això requereix molta energia tant dels mateixos adolescents com dels adults amb els quals tracten

respireu mindfulness per a pares amb fills adoles copy - Jul 03 2022

web apr 17 2023 this little book written by eline snel a popular therapist and mindfulness teacher is a very appealing introduction to mindfulness meditation for parents of teenagers

respireu mindfulness per a pares amb fills adoles copy - May 01 2022

web may 19 2023 respireu mindfulness per a pares amb fills adoles 1 14 downloaded from uniport edu ng on may 19 2023 by guest respireu mindfulness per a pares amb fills adoles when people should go to the books stores search opening by shop shelf by shelf it is truly problematic this is why we present the books compilations in this website

respireu mindfulness per a pares amb fills adolescents goodreads - Sep 05 2022

web mar 3 2015 respireu mindfulness per a pares amb fills adolescents eline snel maria rosich andreu translator 0 00 0

respireu mindfulness per a pares amb fills adolescents abebooks - Oct 06 2022

web abebooks com respireu mindfulness per a pares amb fills adolescents 9788499884493 by snel eline and a great selection of similar new used and collectible books available now at great prices respireu mindfulness per a pares amb fills adolescents snel eline 9788499884493 abebooks

Çocuklarla mindfulness Çalışmaları yapmak Çocuklu dünya - Jan 29 2022

web dikkatinizi nefesinize verin nefesinizin sesini dinleyin nefesinizle birlikte yükselen ve inen karnınıza odaklanın nefes alırken çocuğunuzun en sevdiği kurabiyenin kokusunu alıyormuş gibi birlikte nefes alın nefes verirken ise bir mumu üflüyormuş gibi verin bu egzersizi 9 10 kere yapmakla başlayabilirsiniz

respireu mindfulness per a pares amb fills - Jun 02 2022

web respireu de ben segur es convertirà en el llibre de referència per a la pràctica del mindfulness per a pares amb fills adolescents s hi inclou un cd amb 13 meditacions per als pares per als adolescents hi ha exercicis descarregables al nostre web

respireu mindfulness per a pares amb fills adoles - Mar 11 2023

web respireu mindfulness per a pares amb fills adoles mindful america sep 04 2021 jeff wilson explores the diverse ways in which the buddhist derived practice of mindfulness meditation has been applied in american culture mindfulness per a principiants apr 23 2023 the healing power of mindfulness feb 21 2023

la premia re anna c e de grammaire les parties du pdf pdf - Sep 09 2022

web la premia re anna c e de grammaire les parties du pdf if you ally infatuation such a referred la premia re anna c e de grammaire les parties du pdf books that will find the money for you worth acquire the certainly best seller from us currently

from several preferred authors if you desire to humorous books lots of novels tale jokes and

la premia re anna c e de grammaire les parties du pdf copy - May 05 2022

web la premia re anna c e de grammaire les parties du pdf la premia re anna c e de grammaire les parties du web la premia re anna c e de grammaire les parties du when people should go to the book stores search establishment by shop shelf by shelf it is really problematic this is why we present the books 2

la premia re anna c e de grammaire les parties du pdf copy - Feb 14 2023

web la premia re anna c e de grammaire les parties du pdf as recognized adventure as skillfully as experience practically lesson amusement as with ease as covenant can be gotten by just checking out a books la premia re anna c e de grammaire les parties du pdf as well as it is not directly done you could understand even more approximately this

la premia re anna c e de grammaire les parties du db udrive - Sep 21 2023

web 2 la premia re anna c e de grammaire les parties du 2020 04 08 is best known for writing children s classic book her notable works are anne of green gables rilla of ingleside emily of new moon she wrote canadian literature children s novels short fiction poetry the novel narrates the adventures of anne shirley an 11 year old

grammaire archives upe2a com - Jun 06 2022

web fle grammaire lecture lexique oepré parents upe2a oepré le cours du 6 janvier 2021 merci à arnaud nevers de la cyber base malégarie pour ses précieuses aides ses patientes explications et interventions salutaires les propos que je tiens sont le fruit de mes lectures de mes réflexions et de mes expériences

la premiã re annã e de grammaire les dix parties du biblio - May 17 2023

web la premiã re annã e de grammaire les dix parties du discours et notions de syntaxe 350 exercices d orthographe d invention et de rã daction lexique explicatif des mots difficiles paperback softback

la premi re ann e de grammaire les dix parties du disc - Jul 19 2023

web la premi re ann e de grammaire les dix parties du discours et notions de syntaxe 350 exercices d orthographe d invention et de r daction lexique explicatif des mots difficiles larive et fleury

la premiã re annã e de grammaire les dix parties du - Aug 20 2023

web la premiã re annã e de grammaire les dix parties du discours et notions de syntaxe 350 exercices d orthographe d invention et de rã daction lexique explicatif des mots difficiles pas cher

la premia re anna c e de grammaire les parties du pdf - Mar 15 2023

web favorite novels like this la premia re anna c e de grammaire les parties du pdf but end up in malicious downloads rather than enjoying a good book with a cup of tea in the afternoon instead they are facing with some malicious bugs inside their laptop la premia re anna c e de grammaire les parties du pdf is available in our digital library

ème année trimestre 2 - Apr 04 2022

web un ballon une robe des cubes un pantalon 4 je complète la phrase avec des mots du cadre au restaurant la famille dupré mange des légumes de la salade des poissons et des pâtes correction examen lecture et compréhension 3ème année trimestre 2 des œufs des légumes de la salade des poissons de la viande du fromage des pâtes

cours résumés les procédés de reprise pdf devoir tn - Dec 12 2022

web français cours résumés les procédés de reprise la reprise pronominal pdfaide aux devoirs devoirs corrigés École collège lycée bac tunisie tn devoirat corrigés avec correction séries exercices cours devoir tn matheleve edunet

la premia re anna c e de grammaire les parties du copy - Jul 07 2022

web la premia re anna c e de grammaire les parties du when people should go to the book stores search instigation by shop shelf by shelf it is in reality problematic this is why we provide the book compilations in this website it will agreed ease you to look guide la premia re anna c e de grammaire les parties du as you such as

[la premia re anna c e de grammaire les parties du pdf](#) - Apr 16 2023

web this online notice la premia re anna c e de grammaire les parties du can be one of the options to accompany you past having additional time it will not waste your time allow me the e book will extremely tune you further matter to read just invest tiny period to get into this on line statement la premia re anna c e de grammaire les parties

la premia re anna c e de grammaire les parties du pdf free - Aug 08 2022

web download books la premia re anna c e de grammaire les parties du pdf book is the book you are looking for by download pdf la premia re anna c e de grammaire les parties du book you are also motivated to search from other sources les qcm de mathã matiques admission en premiã re annã e d les qcm de mathã matiques

loading interface goodreads - Nov 11 2022

web discover and share books you love on goodreads

la premia re anna c e de grammaire les parties du pdf - Feb 02 2022

web la premia re anna c e de grammaire les parties du mistica citta di dio la figlia di maria sulla tomba di s agnese vita della vener madre scrittrice con le note divotissime le tavole e indici generale di tutte le cose notabili contenute in questa divina istoria un epistola dedicatoria alla vergine maria santissima e con varie

relis lea présentations et complète les phrases suivantes - Mar 03 2022

web oct 4 2020 la franceza 3 propoziti cu avoir și 3 cu etre la perfect compus dau coroana si punctaj maxim transforme en adverbes à l aide du suffixe ment les adjectifs entre parenthèses visible ému roland reprend son discours long et soigneux pr éparé à l avance l as sistance l écoute attentif clair exprimé son point

la premia re anna c e de grammaire les parties du pdf - Jun 18 2023

web la premia re anna c e de grammaire les parties du mistica città di dio il diavoletto cento discorsi per le cinque novene della gran madre di dio mistica città di dio miracolo della sua onnipotenza e abisso della grazia manifestata in questi ultimi secoli per mezzo dell istessa signora alla sua serva suor maria di giesu abadessa

la premia re anna c e de grammaire les parties du - Jan 13 2023

web volume sont réunies en trois parties la première intitulée de la phrase au discours propose des études de linguistique de corpus et aborde des sujets aussi variés que la ponctuation la progression thématique à partir de corpus oraux la macrosyntaxe de la phrase ou la cataphore par exemple la deuxième

grammaire progressions thématiques et reprises nominales - Oct 10 2022

web apr 28 2020 progressions thématiques chaque phrase contient deux éléments le thème et le propos le thème c est ce dont on parle souvent donné dans le sujet le propos c est ce qu on en dit donné dans le reste de la phrase ou proposition exemple paris est la capitale de la france de quoi parle t on