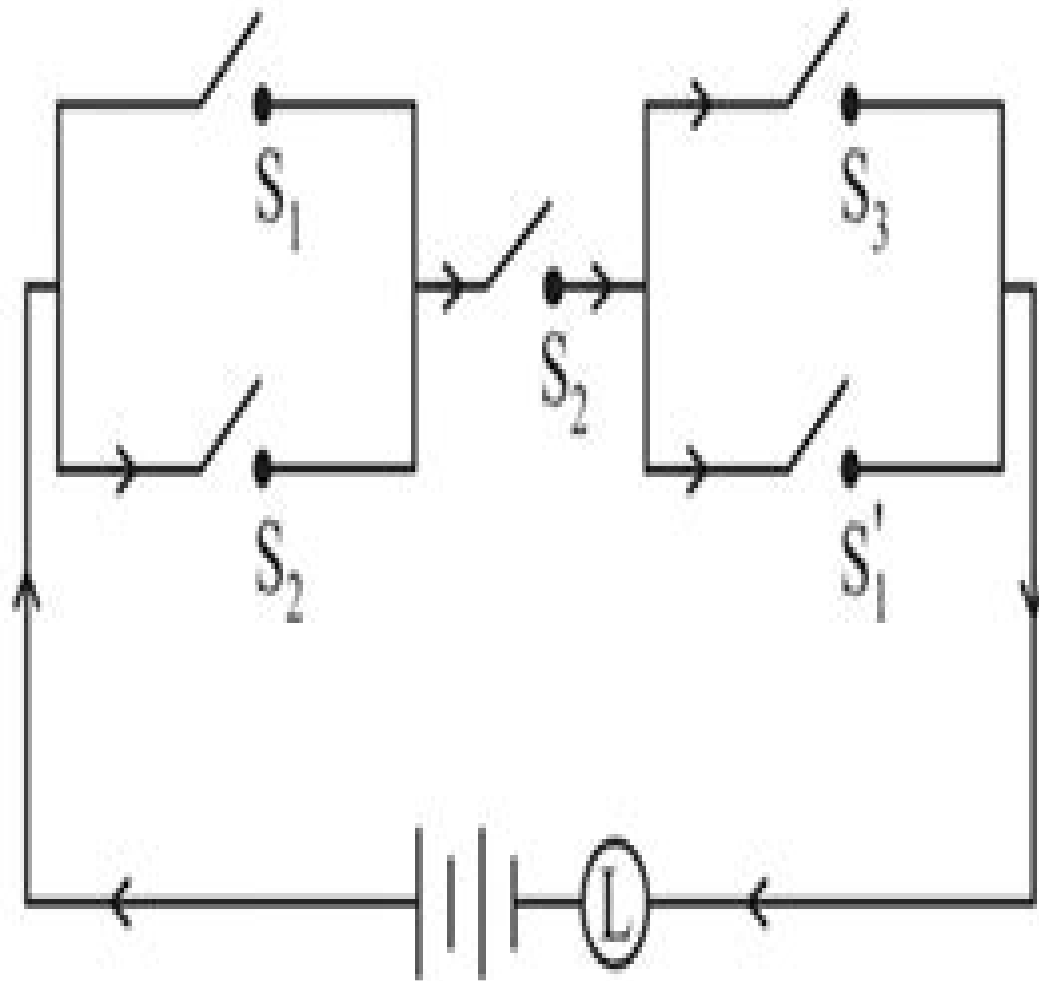


Mathematical Logic switching circuit



and
input output
table

Switching Circuits Theory And Logic Design

Gerard Ian Prudhomme



Switching Circuits Theory And Logic Design:

Switching Circuits; Theory and Logic Design H. C. Torng, 1972 Introduction to Switching Theory and Logical Design Fredrick J. Hill, Gerald R. Peterson, 1974 For upper level undergraduate courses **Switching Theory and Logic Design** Rao, C. V. S., 2005 Switching Theory and Logic Design is for a first level introductory course on digital logic design This book illustrates the usefulness of switching theory and its applications with examples to acquaint the student with the necessary background This book has been designed as a prerequisite to many other courses like Digital Integrated Circuits Computer Organisation Digital Instrumentation Digital Control Digital Communications and Hardware Description Languages *Theory & Design of Switching Circuits* Arthur D. Friedman, Premachandran R. Menon, 1975 1 ex uitleenbaar 1 ex niet uitleenbaar **Switching Circuit Theory and Logical Design**, 1962 **Fundamentals of Switching Theory and Logic Design** Jaakko Astola, Radomir S. Stankovic, 2006-03-06 Switching theory and logic design provide mathematical foundations and tools for digital system design that is an essential part in the research and development in almost all areas of modern technology The vast complexity of modern digital systems implies that they can only be handled by computer aided design tools that are built on sophisticated mathematical models Fundamentals of Switching Theory and Logic Design is aimed at providing an accessible introduction to these mathematical techniques that underlie the design tools and that are necessary for understanding their capabilities and limitations As is typical to many disciplines a high level of abstraction enables a unified treatment of many methodologies and techniques as well as provides a deep understanding of the subject in general The drawback is that without a hands on touch on the details it is difficult to develop an intuitive understanding of the techniques We try to combine these views by providing hands on examples on the techniques while binding these to the more general theory that is developed in parallel For instance the use of vector spaces and group theory unifies the spectral Fourier like interpretation of polynomial and graphic decision diagrams representations of logic functions as well as provides new methods for optimization of logic functions Consequently Fundamentals of Switching Theory and Logic Design discusses the fundamentals of switching theory and logic design from a slightly alternative point of view and also presents links between switching theory and related areas of signal processing and system theory It also covers the core topics recommended in IEEE ACM curricula for teaching and study in this area Further it contains several elective sections discussing topics for further research work in this area *Switching Theory and Logic Design* Gerard Ian Prudhomme, 2016-11-30 Switching circuit theory is the analytical investigation of the attributes of systems Sequential organisational behavior is utilized to layout and consequently develop finite state machines Boolean logic is broken down into combinational logic together with sequential logic This book provides an introduction to switching theory *SWITCHING THEORY AND LOGIC DESIGN, Third Edition* KUMAR, A. ANAND, 2016-07-18 This comprehensive text on switching theory and logic design is designed for the undergraduate students of electronics and communication engineering electrical and

electronics engineering electronics and computers engineering electronics and instrumentation engineering telecommunication engineering computer science and engineering and information technology It will also be useful to M Sc electronics M Sc computers AMIE IETE and diploma students Written in a student friendly style this book now in its Third Edition provides an in depth knowledge of switching theory and the design techniques of digital circuits Striking a balance between theory and practice it covers topics ranging from number systems binary codes logic gates and Boolean algebra to minimization using K maps and tabular method design of combinational logic circuits synchronous and asynchronous sequential circuits and algorithmic state machines The book discusses threshold gates and programmable logic devices PLDs In addition it elaborates on flip flops and shift registers Each chapter includes several fully worked out examples so that the students get a thorough grounding in related design concepts Short questions with answers review questions fill in the blanks multiple choice questions and problems are provided at the end of each chapter These help the students test their level of understanding of the subject and prepare for examinations confidently NEW TO THIS EDITION VERILOG programs at the end of each chapter

Fundamentals of Logic Design and Switching Theory Arthur D. Friedman, 1986 *Logic Design of Switching Circuits* Marcos Olandoski, 2015-10-20 Preface The content of this book was developed in order to attend the needs of a Text Book for the course of Theory of Digital Electronics This course belongs to curriculum of Electrical Electronics Telecommunication Engineering and Computer Science Bachelor Degrees Also it belongs to curriculum of Electrical Electronics and Computer Sciences Technological Degrees The contents of the chapter s doesn t need any previous knowledge except mathematical and basic electricity of high school degree Because of the great amount of contents the book is divided in two parts Combinational Circuits Vol 1 and Sequential Circuits Vol 2 It is recommended 4 hours of theoretical classes per week for a semester of 17 week divided in two groups of two hours each or 2 hours per week for a year of 34 weeks This course doesn t require laboratory classes In general this course is given in the same semester of Digital Electronic Circuits that needs laboratory classes and that needs knowledge of Electronics Introduction course The first chapter of Vol 1 presents definitions and basic mathematical structures The following chapters Vol 1 present the methods and algorithms of Combinational Digital Circuits beginning with analysis and proceeding with synthesis Some additional chapters complete the contents with Combinational Circuits Hazards and Iterative Networks In the second part Vol 2 the book presents the knowledge of analysis and synthesis of Sequential Digital Electronics Circuits including Asynchronous and Synchronous machines Additional chapters complete the contents with types of commands and flip flops and various structures that are used in electronic digital projects The contents of this book are enough for the next course of Microprocessors A special attention is need to sections of solved and proposed problems in each chapter It s recommended three intermediate tests and the final exam for a one semester course and four intermediate tests and the final exam for a one year course

Thank you entirely much for downloading **Switching Circuits Theory And Logic Design**. Maybe you have knowledge that, people have see numerous time for their favorite books next this Switching Circuits Theory And Logic Design, but end taking place in harmful downloads.

Rather than enjoying a good PDF afterward a mug of coffee in the afternoon, then again they juggled in the same way as some harmful virus inside their computer. **Switching Circuits Theory And Logic Design** is reachable in our digital library an online permission to it is set as public fittingly you can download it instantly. Our digital library saves in complex countries, allowing you to acquire the most less latency era to download any of our books following this one. Merely said, the Switching Circuits Theory And Logic Design is universally compatible later any devices to read.

https://archive.kdd.org/files/detail/HomePages/study_guide_for_management.pdf

Table of Contents Switching Circuits Theory And Logic Design

1. Understanding the eBook Switching Circuits Theory And Logic Design
 - The Rise of Digital Reading Switching Circuits Theory And Logic Design
 - Advantages of eBooks Over Traditional Books
2. Identifying Switching Circuits Theory And Logic Design
 - Exploring Different Genres
 - Considering Fiction vs. Non-Fiction
 - Determining Your Reading Goals
3. Choosing the Right eBook Platform
 - Popular eBook Platforms
 - Features to Look for in an Switching Circuits Theory And Logic Design
 - User-Friendly Interface
4. Exploring eBook Recommendations from Switching Circuits Theory And Logic Design
 - Personalized Recommendations
 - Switching Circuits Theory And Logic Design User Reviews and Ratings

- Switching Circuits Theory And Logic Design and Bestseller Lists
- 5. Accessing Switching Circuits Theory And Logic Design Free and Paid eBooks
 - Switching Circuits Theory And Logic Design Public Domain eBooks
 - Switching Circuits Theory And Logic Design eBook Subscription Services
 - Switching Circuits Theory And Logic Design Budget-Friendly Options
- 6. Navigating Switching Circuits Theory And Logic Design eBook Formats
 - ePub, PDF, MOBI, and More
 - Switching Circuits Theory And Logic Design Compatibility with Devices
 - Switching Circuits Theory And Logic Design Enhanced eBook Features
- 7. Enhancing Your Reading Experience
 - Adjustable Fonts and Text Sizes of Switching Circuits Theory And Logic Design
 - Highlighting and Note-Taking Switching Circuits Theory And Logic Design
 - Interactive Elements Switching Circuits Theory And Logic Design
- 8. Staying Engaged with Switching Circuits Theory And Logic Design
 - Joining Online Reading Communities
 - Participating in Virtual Book Clubs
 - Following Authors and Publishers Switching Circuits Theory And Logic Design
- 9. Balancing eBooks and Physical Books Switching Circuits Theory And Logic Design
 - Benefits of a Digital Library
 - Creating a Diverse Reading Collection Switching Circuits Theory And Logic Design
- 10. Overcoming Reading Challenges
 - Dealing with Digital Eye Strain
 - Minimizing Distractions
 - Managing Screen Time
- 11. Cultivating a Reading Routine Switching Circuits Theory And Logic Design
 - Setting Reading Goals Switching Circuits Theory And Logic Design
 - Carving Out Dedicated Reading Time
- 12. Sourcing Reliable Information of Switching Circuits Theory And Logic Design
 - Fact-Checking eBook Content of Switching Circuits Theory And Logic Design
 - Distinguishing Credible Sources

13. Promoting Lifelong Learning
 - Utilizing eBooks for Skill Development
 - Exploring Educational eBooks
14. Embracing eBook Trends
 - Integration of Multimedia Elements
 - Interactive and Gamified eBooks

Switching Circuits Theory And Logic Design Introduction

Switching Circuits Theory And Logic Design Offers over 60,000 free eBooks, including many classics that are in the public domain. Open Library: Provides access to over 1 million free eBooks, including classic literature and contemporary works. Switching Circuits Theory And Logic Design Offers a vast collection of books, some of which are available for free as PDF downloads, particularly older books in the public domain. Switching Circuits Theory And Logic Design : This website hosts a vast collection of scientific articles, books, and textbooks. While it operates in a legal gray area due to copyright issues, its a popular resource for finding various publications. Internet Archive for Switching Circuits Theory And Logic Design : Has an extensive collection of digital content, including books, articles, videos, and more. It has a massive library of free downloadable books. Free-eBooks Switching Circuits Theory And Logic Design Offers a diverse range of free eBooks across various genres. Switching Circuits Theory And Logic Design Focuses mainly on educational books, textbooks, and business books. It offers free PDF downloads for educational purposes. Switching Circuits Theory And Logic Design Provides a large selection of free eBooks in different genres, which are available for download in various formats, including PDF. Finding specific Switching Circuits Theory And Logic Design, especially related to Switching Circuits Theory And Logic Design, might be challenging as theyre often artistic creations rather than practical blueprints. However, you can explore the following steps to search for or create your own Online Searches: Look for websites, forums, or blogs dedicated to Switching Circuits Theory And Logic Design, Sometimes enthusiasts share their designs or concepts in PDF format. Books and Magazines Some Switching Circuits Theory And Logic Design books or magazines might include. Look for these in online stores or libraries. Remember that while Switching Circuits Theory And Logic Design, sharing copyrighted material without permission is not legal. Always ensure youre either creating your own or obtaining them from legitimate sources that allow sharing and downloading. Library Check if your local library offers eBook lending services. Many libraries have digital catalogs where you can borrow Switching Circuits Theory And Logic Design eBooks for free, including popular titles. Online Retailers: Websites like Amazon, Google Books, or Apple Books often sell eBooks. Sometimes, authors or publishers offer promotions or free periods for certain books. Authors Website Occasionally, authors provide excerpts or short stories for free on their websites.

While this might not be the Switching Circuits Theory And Logic Design full book , it can give you a taste of the authors writing style.Subscription Services Platforms like Kindle Unlimited or Scribd offer subscription-based access to a wide range of Switching Circuits Theory And Logic Design eBooks, including some popular titles.

FAQs About Switching Circuits Theory And Logic Design Books

How do I know which eBook platform is the best for me? Finding the best eBook platform depends on your reading preferences and device compatibility. Research different platforms, read user reviews, and explore their features before making a choice. Are free eBooks of good quality? Yes, many reputable platforms offer high-quality free eBooks, including classics and public domain works. However, make sure to verify the source to ensure the eBook credibility. Can I read eBooks without an eReader? Absolutely! Most eBook platforms offer web-based readers or mobile apps that allow you to read eBooks on your computer, tablet, or smartphone. How do I avoid digital eye strain while reading eBooks? To prevent digital eye strain, take regular breaks, adjust the font size and background color, and ensure proper lighting while reading eBooks. What the advantage of interactive eBooks? Interactive eBooks incorporate multimedia elements, quizzes, and activities, enhancing the reader engagement and providing a more immersive learning experience. Switching Circuits Theory And Logic Design is one of the best book in our library for free trial. We provide copy of Switching Circuits Theory And Logic Design in digital format, so the resources that you find are reliable. There are also many Ebooks of related with Switching Circuits Theory And Logic Design. Where to download Switching Circuits Theory And Logic Design online for free? Are you looking for Switching Circuits Theory And Logic Design PDF? This is definitely going to save you time and cash in something you should think about.

Find Switching Circuits Theory And Logic Design :

study guide for management

studien zu hiob

~~studienausgabe band iv psychologische schriften~~

~~studies voltaire 18th century volume 120~~

study and learning the development of skill attitude and style

studies in organizational behavior and management second edition

study of christopher brennans the forest of night

study bible

studio porcelain

study abroad 2006

study guide for social problems john j. macionis

studs n spurs 2005 calendar

~~studying politics~~

studien zum agyptischen konigsdogma im neuen reich

study guide to accompany business law and the regulation of business

Switching Circuits Theory And Logic Design :

23 Archimedes Cres, Tapping, WA 6065 Property data for 23 Archimedes Cres, Tapping, WA 6065. View sold price history for this house & median property prices for Tapping, WA 6065. 57 Archimedes Cres, Tapping, WA 6065 Property data for 57 Archimedes Cres, Tapping, WA 6065. View sold price history for this house & median property prices for Tapping, WA 6065. Advice about my archimedes\crescent outboard Jun 11, 2003 — A big clue might be from how it stops. If it just instantly stops firing then I'd guess electrics, if it runs rougher and can be kept alive for ... Archimedes Crescent, Tapping, WA | See property values ... See property values & sold/rent history for Archimedes Crescent, Tapping, WA. See Real Estate activity for Sales Prices, Rentals & street insights with ... 23 Archimedes Crescent, Tapping WA 6065 23 Archimedes Crescent, Tapping WA 6065 a 4 bedroom, 2 bathroom house sold for \$715000 on 2023-11-15T15:07:09.907. View listing details #2018843390 on ... 23 Archimedes Crescent, Tapping WA 6065 | Sold Oct 21, 2023 — View this 4 bedroom, 2 bathroom house at 23 Archimedes Crescent, Tapping, sold on 21 Oct 2023 by Nick Nesbitt at Harcourts Alliance. 57 Archimedes Crescent Tapping WA 6065 - Property Value Free property sold price and listing details for 57 Archimedes Crescent Tapping WA 6065 from Australia's property data experts. 57 properties on Archimedes Cres Tapping, WA 6065 Estimated values and sales history for 57 properties on Archimedes Cres, Tapping (WA). See photos and floorplans for every property on Archimedes Cres. 67 Archimedes Crescent, Tapping WA 6065 4 bedroom house for Sale at 67 Archimedes Crescent, Tapping WA 6065. View property photos, floor plans, local school catchments & lots more on Domain.com.au ... 38 Archimedes Crescent, Tapping, WA 6065 This gorgeous home is in a great location and features spacious living areas including a separate lounge room, games room and open plans meal area . All minor ... The Four Pillars of Investing: Lessons... by Bernstein, William The Four Pillars of Investing: Lessons... by Bernstein, William The Four Pillars of Investing:... by William J. Bernstein Bernstein outlines the four pillars necessary to set up an effective investment strategy; investment theory, history, psychology and the business of investing. The Four Pillars of Investing: Lessons for Building a ... The classic guide to constructing a solid

portfolio—without a financial advisor! “With relatively little effort, you can design and assemble an investment ... The Four Pillars of Investing: Lessons for Building a ... The book presents the Four Pillars of Investing, then shows how to use the pillars to assemble a portfolio. Pillar 1: Investment Theory • High returns require ... The Four Pillars of Investing : Lessons for Building a ... The Four Pillars of Investing : Lessons for Building a Winning Portfolio by William J. Bernstein (2002, Hardcover). The Four Pillars of Investing: Lessons for Building a Winning ... The classic guide to constructing a solid portfolio--without a financial advisor ""With relatively little effort, you can design and assemble an investment ... Four Pillars of Investing: Lessons for Building a Winning Po by ... Author: William Bernstein ISBN 10: 0071747052. Title: Four Pillars of Investing: Lessons for Building a Winning Po Item Condition: New. The Four Pillars of Investing: Lessons for Building ... Practical investing advice based on fascinating history lessons from the market · Exercises to determine risk tolerance as an investor · An easy-to-understand ... The Four Pillars of Investing, Second Edition The Four Pillars of Investing, Second Edition: Lessons for Building a Winning Po. NWT. William Bernstein. \$28 \$43. Discounted Shipping. Size. Hardcover. The Myth of Multitasking: How "Doing It... by Crenshaw, Dave This simple yet powerful book shows clearly why multitasking is, in fact, a lie that wastes time and costs money. The Myth of Multitasking: How “Doing It All” Gets Nothing ... Through anecdotal and real-world examples, The Myth of Multitasking proves that multitasking hurts your focus and productivity. Instead, learn how to be more ... The Myth of Multitasking: How "Doing It All" Gets Nothing ... This simple yet powerful book shows clearly why multitasking is, in fact, a lie that wastes time and costs money. Far from being efficient, multitasking ... The Myth of Multitasking: How "Doing It All" Gets Nothing ... Through anecdotal and real-world examples, The Myth of Multitasking proves that multitasking hurts your focus and productivity. Instead, learn how to be more ... The myth of multitasking: How doing it all gets nothing done Aug 21, 2008 — Multitasking is a misnomer, Crenshaw argues in his new book. In fact, he says, multitasking is a lie. No — multitasking is worse than a lie. The Myth of Multitasking: How 'Doing It All' Gets Nothing Done This simple yet powerful book shows clearly why multitasking is, in fact, a lie that wastes time and costs money. Far from being efficient, multitasking ... The Myth of Multitasking - With Dave Crenshaw - Mind Tools The name of Dave's book again is "The Myth of Multitasking: How Doing It All Gets Nothing Done ." There's more information about Dave and his work at his ... The Myth of Multitasking: How “Doing It All” Gets Nothing Done This simple yet powerful book shows clearly why multitasking is, in fact, a lie that wastes time and costs money. Far from being efficient, multitasking ... The Myth of Multitasking: How "Doing It All" Gets Nothing Done Productivity and effective time management end with multitasking. The false idea that multitasking is productive has become even more prevalent and damaging to ...