

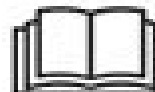
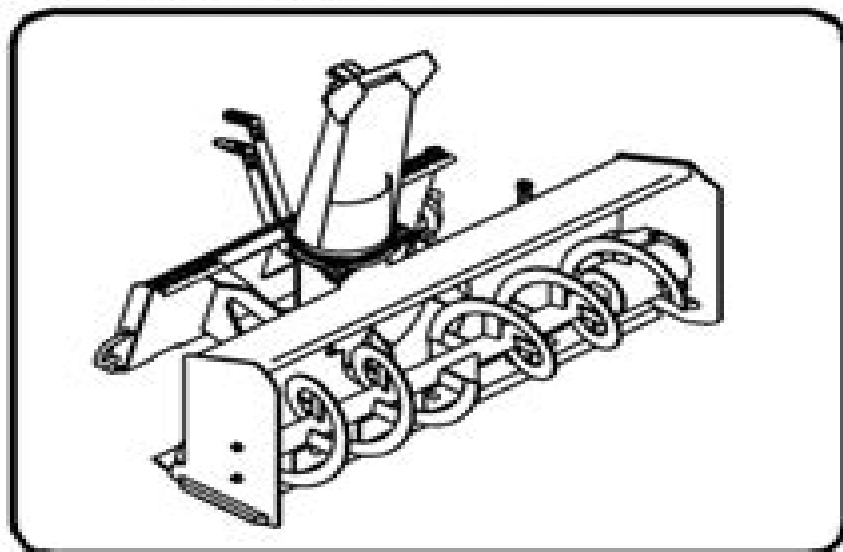


Bobcat®

Service Manual Snowblower

SB150 (36 in.) S/N 713400101 & Above
 (48 in.) S/N 713300101 & Above
 SB200 (54 in.) S/N 713500101 & Above
 (60 in.) S/N 712700101 & Above
 (66 in.) S/N 712800101 & Above
 (72 in.) S/N 712900101 & Above
 (78 in.) S/N 713000101 & Above

SB240 (72 in.) S/N 713100101 & Above
 (84 in.) S/N 713200101 & Above
 SBX240 (72 in.) S/N A00F00101 & Above
 (84 in.) S/N 713600101 & Above



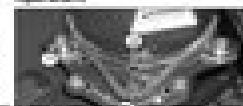
JoeManual.com

Printed in U.S.A.

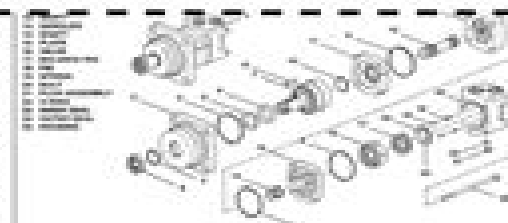
© Bobcat Company 2011



Remove the top cover from the engine compartment.
 See the engine compartment for details.
 See the engine compartment for details.
 See the engine compartment for details.



Remove the top cover from the engine compartment.
 See the engine compartment for details.
 See the engine compartment for details.
 See the engine compartment for details.



3000000-00-000

Snowblower Service Manual

Joacim Rocklöv



Snowblower Service Manual:

Delve into the emotional tapestry woven by Crafted by in **Snowblower Service Manual** . This ebook, available for download in a PDF format (*), is more than just words on a page; it's a journey of connection and profound emotion. Immerse yourself in narratives that tug at your heartstrings. Download now to experience the pulse of each page and let your emotions run wild.

<https://archive.kdd.org/book/uploaded-files/HomePages/talk%20grow%20rich.pdf>

Table of Contents Snowblower Service Manual

1. Understanding the eBook Snowblower Service Manual
 - The Rise of Digital Reading Snowblower Service Manual
 - Advantages of eBooks Over Traditional Books
2. Identifying Snowblower Service Manual
 - Exploring Different Genres
 - Considering Fiction vs. Non-Fiction
 - Determining Your Reading Goals
3. Choosing the Right eBook Platform
 - Popular eBook Platforms
 - Features to Look for in an Snowblower Service Manual
 - User-Friendly Interface
4. Exploring eBook Recommendations from Snowblower Service Manual
 - Personalized Recommendations
 - Snowblower Service Manual User Reviews and Ratings
 - Snowblower Service Manual and Bestseller Lists
5. Accessing Snowblower Service Manual Free and Paid eBooks
 - Snowblower Service Manual Public Domain eBooks
 - Snowblower Service Manual eBook Subscription Services
 - Snowblower Service Manual Budget-Friendly Options

6. Navigating Snowblower Service Manual eBook Formats
 - ePub, PDF, MOBI, and More
 - Snowblower Service Manual Compatibility with Devices
 - Snowblower Service Manual Enhanced eBook Features
7. Enhancing Your Reading Experience
 - Adjustable Fonts and Text Sizes of Snowblower Service Manual
 - Highlighting and Note-Taking Snowblower Service Manual
 - Interactive Elements Snowblower Service Manual
8. Staying Engaged with Snowblower Service Manual
 - Joining Online Reading Communities
 - Participating in Virtual Book Clubs
 - Following Authors and Publishers Snowblower Service Manual
9. Balancing eBooks and Physical Books Snowblower Service Manual
 - Benefits of a Digital Library
 - Creating a Diverse Reading Collection Snowblower Service Manual
10. Overcoming Reading Challenges
 - Dealing with Digital Eye Strain
 - Minimizing Distractions
 - Managing Screen Time
11. Cultivating a Reading Routine Snowblower Service Manual
 - Setting Reading Goals Snowblower Service Manual
 - Carving Out Dedicated Reading Time
12. Sourcing Reliable Information of Snowblower Service Manual
 - Fact-Checking eBook Content of Snowblower Service Manual
 - Distinguishing Credible Sources
13. Promoting Lifelong Learning
 - Utilizing eBooks for Skill Development
 - Exploring Educational eBooks
14. Embracing eBook Trends
 - Integration of Multimedia Elements

-
- Interactive and Gamified eBooks

Snowblower Service Manual Introduction

In the digital age, access to information has become easier than ever before. The ability to download Snowblower Service Manual has revolutionized the way we consume written content. Whether you are a student looking for course material, an avid reader searching for your next favorite book, or a professional seeking research papers, the option to download Snowblower Service Manual has opened up a world of possibilities. Downloading Snowblower Service Manual provides numerous advantages over physical copies of books and documents. Firstly, it is incredibly convenient. Gone are the days of carrying around heavy textbooks or bulky folders filled with papers. With the click of a button, you can gain immediate access to valuable resources on any device. This convenience allows for efficient studying, researching, and reading on the go. Moreover, the cost-effective nature of downloading Snowblower Service Manual has democratized knowledge. Traditional books and academic journals can be expensive, making it difficult for individuals with limited financial resources to access information. By offering free PDF downloads, publishers and authors are enabling a wider audience to benefit from their work. This inclusivity promotes equal opportunities for learning and personal growth. There are numerous websites and platforms where individuals can download Snowblower Service Manual. These websites range from academic databases offering research papers and journals to online libraries with an expansive collection of books from various genres. Many authors and publishers also upload their work to specific websites, granting readers access to their content without any charge. These platforms not only provide access to existing literature but also serve as an excellent platform for undiscovered authors to share their work with the world. However, it is essential to be cautious while downloading Snowblower Service Manual. Some websites may offer pirated or illegally obtained copies of copyrighted material. Engaging in such activities not only violates copyright laws but also undermines the efforts of authors, publishers, and researchers. To ensure ethical downloading, it is advisable to utilize reputable websites that prioritize the legal distribution of content. When downloading Snowblower Service Manual, users should also consider the potential security risks associated with online platforms. Malicious actors may exploit vulnerabilities in unprotected websites to distribute malware or steal personal information. To protect themselves, individuals should ensure their devices have reliable antivirus software installed and validate the legitimacy of the websites they are downloading from. In conclusion, the ability to download Snowblower Service Manual has transformed the way we access information. With the convenience, cost-effectiveness, and accessibility it offers, free PDF downloads have become a popular choice for students, researchers, and book lovers worldwide. However, it is crucial to engage in ethical downloading practices and prioritize personal security when utilizing online platforms. By doing so, individuals can make the most of the vast array of free PDF resources available and embark on a journey of continuous

learning and intellectual growth.

FAQs About Snowblower Service Manual Books

What is a Snowblower Service Manual PDF? A PDF (Portable Document Format) is a file format developed by Adobe that preserves the layout and formatting of a document, regardless of the software, hardware, or operating system used to view or print it. **How do I create a Snowblower Service Manual PDF?** There are several ways to create a PDF: Use software like Adobe Acrobat, Microsoft Word, or Google Docs, which often have built-in PDF creation tools. Print to PDF: Many applications and operating systems have a "Print to PDF" option that allows you to save a document as a PDF file instead of printing it on paper. Online converters: There are various online tools that can convert different file types to PDF. **How do I edit a Snowblower Service Manual PDF?** Editing a PDF can be done with software like Adobe Acrobat, which allows direct editing of text, images, and other elements within the PDF. Some free tools, like PDFescape or Smallpdf, also offer basic editing capabilities. **How do I convert a Snowblower Service Manual PDF to another file format?** There are multiple ways to convert a PDF to another format: Use online converters like Smallpdf, Zamzar, or Adobe Acrobats export feature to convert PDFs to formats like Word, Excel, JPEG, etc. Software like Adobe Acrobat, Microsoft Word, or other PDF editors may have options to export or save PDFs in different formats. **How do I password-protect a Snowblower Service Manual PDF?** Most PDF editing software allows you to add password protection. In Adobe Acrobat, for instance, you can go to "File" -> "Properties" -> "Security" to set a password to restrict access or editing capabilities. Are there any free alternatives to Adobe Acrobat for working with PDFs? Yes, there are many free alternatives for working with PDFs, such as: LibreOffice: Offers PDF editing features. PDFsam: Allows splitting, merging, and editing PDFs. Foxit Reader: Provides basic PDF viewing and editing capabilities. How do I compress a PDF file? You can use online tools like Smallpdf, ILovePDF, or desktop software like Adobe Acrobat to compress PDF files without significant quality loss. Compression reduces the file size, making it easier to share and download. Can I fill out forms in a PDF file? Yes, most PDF viewers/editors like Adobe Acrobat, Preview (on Mac), or various online tools allow you to fill out forms in PDF files by selecting text fields and entering information. Are there any restrictions when working with PDFs? Some PDFs might have restrictions set by their creator, such as password protection, editing restrictions, or print restrictions. Breaking these restrictions might require specific software or tools, which may or may not be legal depending on the circumstances and local laws.

Find Snowblower Service Manual :

[talk grow rich](#)

[tales by auntie pi](#)

[taking it all](#)

tales from the planet earth

taking of planet 5

[taking the lead telecourse study guide to accompany management](#)

tales of nantucket chronicles and characters of americans favorite island

tales of a water bailiff

~~[taking power on the origins of third world revolutions](#)~~

~~[tale of the five the sword and the dragon](#)~~

~~[tales from a vanished country authors](#)~~

~~[tales from the geronimo my seduction by junk and desert dreams](#)~~

taken in marriage

[tales of oliver pig](#)

take-control diet a life plan for thinking people

Snowblower Service Manual :

[taschenlexikon der tiere ravensburger lexika taschenbuch amazon de](#) - Aug 15 2023

web dieses praktische taschenlexikon gibt in kurzen prägnanten texten kompetent antwort auf kinderfragen zum thema tiere

die welt der tiere vom skurrilen schnabeltier über die elegante fischkatze und den kauzigen eulenschwalm bis zum

urtümlichen komodowaran und dem weitgereisten monarchfalter das taschenlexikon der tiere versammelt

[taschenlexikon der tiere portofrei bei bücher de bestellen](#) - Apr 11 2023

web die welt der tiere vom skurrilen schnabeltier über die elegante fischkatze und den kauzigen eulenschwalm bis zum

urtümlichen komodowaran und dem weitgereisten monarchfalter das taschenlexikon der tiere versammelt über 470

spannende und interessante tierarten aus der ganzen welt

[taschenlexikon der tiere scheller anne amazon com tr kitap](#) - Jul 14 2023

web taschenlexikon der tiere scheller anne amazon com tr kitap Çerez tercihlerinizi seçin Çerez bildirimimizde

detaylandırıldığı üzere satın alım yapmanızı sağlamak alışveriş deneyiminizi geliştirmek ve hizmetlerimizi sunmak için gerekli

olan çerezleri ve benzer araçları kullanıyoruz

taschenlexikon der tiere jetzt online kaufen auf pareyshop de - Jun 13 2023

web die welt der tiere vom skurrilen schnabeltier über die elegante fischkatze und den kauzigen eulenschwalm bis zum urtümlichen komodowaran und dem weitgereisten monarchfalter das taschenlexikon der tiere versammelt über 470 spannende und interessante tierarten aus der ganzen welt

taschenlexikon tiere 9783831012718 boeken bol com - Mar 30 2022

web taschenlexikon tiere paperback die ganze welt der tiere im kompakten format dieses nachschlagewerk ist äußerst handlich und wartet mit einer

taschenlexikon der tiere von anne scheller bei lovelybooks - Mar 10 2023

web dieses praktische taschenlexikon gibt in kurzen prägnanten texten kompetent antwort auf kinderfragen zum thema tiere die welt der tiere vom skurrilen schnabeltier über die elegante fischkatze und den kauzigen eulenschwalm bis zum urtümlichen komodowaran und dem weitgereisten monarchfalter das taschenlexikon der tiere versammelt

taschenlexikon der tiere scheller anne amazon co uk books - Dec 07 2022

web buy taschenlexikon der tiere by 9783473554430 from amazon uk s books shop free delivery on eligible orders

der natur shop taschenlexikon der schmetterlinge europas - Jul 02 2022

web taschenlexikon der schmetterlinge europas die häufigsten tag und nachtfalter im porträt 2 bände im set zum preis von 49 95 statt 54 90 schmetterlinge gehören zu den faszinierendsten insekten

taschenlexikon der natur autor ravensburger - Sep 04 2022

web beschreibung tiere und pflanzen kennenlernen vom steinadler bis zum eichhörnchen von der buche bis zum wiesenchampignon das taschenlexikon der natur versammelt über 470 heimische tier und pflanzenarten kinder lernen hier tiere blumen bäume und sträucher sowie pilze kennen

taschenlexikon der tiere scheller anne buch lüthy balmer - Oct 05 2022

web isbn 9783473554430 portofrei bestellen bei bucher lüthy taschenlexikon der tiere buch paperback von scheller anne ravensburger verlag besuchen sie uns online

taschenlexikon der tiere ernster - Jan 08 2023

web feb 1 2017 dieses praktische taschenlexikon gibt in kurzen prägnanten texten kompetent antwort auf kinderfragen zum thema tiere auf dieser seite produkt inhalt kritik bewertungen schlagworte autor vorschläge besucht interessiert teilen

details zu taschenlexikon der tiere stadtbüchereien korntal - Jun 01 2022

web in kurzen porträts werden die einzelnen tiere mit ihren wissenschaftlichen bezeichnungen sowie den wichtigsten fakten zu verbreitung körperbau nahrung und fressfeinden vorgestellt die unterteilung in säugetiere vögel insekten und reptilien

erleichtert das finden der tiere verlagstext

taschenlexikon der tiere by anne scheller - Dec 27 2021

web may 30th 2020 taschenlexikon der tiere hier kann bekanntschaft mit über 470 tieren geschlossen werden in kurzen porträts werden die einzelnen tiere mit ihren wissenschaft taschenlexikon der tiere buch versandkostenfrei bei psfnac faudiovisual com 2 10 taschenlexikon der tiere by anne scheller

taschenlexikon der tiere weltbild - May 12 2023

web die welt der tierevom skurrilen schnabeltier über die elegante fischkatze und den kauzigen eulenschwalm bis zum urtümlichen komodowaran und dem weitgereisten monarchfalter das taschenlexikon der tiere versammelt über 470 spannende und interessante tierarten aus der ganzen welt

tiere klexikon das kinderlexikon - Feb 26 2022

web tiere sind eine bestimmte art von lebewesen wenn sie fressen nehmen tiere stoffe von anderen lebewesen auf eine kuh frisst zum beispiel gras bei der verdauung nimmt sie so nahrung auf und bereitet sie für den verbrauch vor dadurch kann sich die energie der nahrung in kraft oder wärme umwandeln pflanzen dagegen holen sich die energie aus

taschenlexikon tiere buch gebraucht antiquarisch neu kaufen - Aug 03 2022

web taschenlexikon tiere bücher gebraucht antiquarisch neu kaufen preisvergleich käuferschutz wir bücher

details zu taschenlexikon der tiere stadtbibliothek flensburg - Apr 30 2022

web vorgestellt wird der alpensteinbock ebenso wie der gemeine grashüpfer der weißkopfseeadler oder gleich 19 verschiedene schildkrötenarten auch weniger bekannte tiere sind dabei etwa der rotkehlans oder der scharlachsichler

taschenlexikon tiere zvab - Nov 06 2022

web taschenlexikon tiere und eine große auswahl ähnlicher bücher kunst und sammlerstücke erhältlich auf zvab com

taschenlexikon der tiere anne scheller 2017 arvelle de - Feb 09 2023

web Über 470 spannende tierarten aus aller welt wissenswertes über säugetiere vögel reptilien und insekten tierisch praktisches taschenlexikon die tierwelt in zahlen fakten und fotos

taschenlexikondertiere pdf old arianavara - Jan 28 2022

web taschen lexikon der chemie und der damit verbundenen operationen taschenlexikon tiere die reise von tod und auferstehung der liebe in marie luise kaschnitz roman liebe beginnt

general oreda presentation 2010 09 17 subsites imoney my - Mar 22 2022

web sep 18 2023 title general oreda presentation 2010 09 17 author subsites imoney my 2023 09 18 02 48 04 subject general oreda presentation 2010 09 17 keywords

orda tdv İslâm ansiklopedisi - Aug 27 2022

web zira ordalar asker dışında askerlerin ailelerini de içine alan hanın karargâhı idi İleri gelen her kişi subay ve askerleriyle birlikte kendi ordasına sahipti hepsi birlikte karabudun veya türk beyler budun türk beyleri ve halk etnosunu oluştururdu ayrıca orda sağ doğu ve sol batı kanatları olan düzenli ordu

general oreda presentation 2010 09 17 online kptm edu my - Apr 22 2022

web title general oreda presentation 2010 09 17 author online kptm edu my 2023 09 09 00 48 17 subject general oreda presentation 2010 09 17 keywords

gesider 10 olağan genel kurul toplantısı düzenledi - Jun 24 2022

web oct 7 2015 gesider güvenlik endüstrisi sanayicileri ve İşadamları derneği dernek merkezinde yapılan 10 olağan genel kurul toplantısı yapıldı genel kurul toplantısında yeni kurul ve bu kurulda görev alacaklar kararlaştırılmıştır 10 yÖnetİM kurulu 21 eylül 2015 yönetim kurulu asil Üyeleri ekrem Özkara

general oreda presentation 2010 09 17 tvl parisbytrain com - Feb 01 2023

web general oreda presentation 2010 09 17 author albrecht kluckhohn from tvl parisbytrain com subject general oreda presentation 2010 09 17 keywords 17 09 general oreda 2010 presentation created date 6 20 2023 11 08 51 am

general oreda presentation 2010 09 17 tvl parisbytrain com - May 04 2023

web general oreda presentation 2010 09 17 author fabio graebner from tvl parisbytrain com subject general oreda presentation 2010 09 17 keywords presentation 09 general oreda 2010 17 created date 6 30 2023 5 47 11 pm

[general oreda presentation 2010 09 17 rhur impacthub net](#) - Feb 18 2022

web sep 13 2023 title general oreda presentation 2010 09 17 author rhur impacthub net 2023 09 13 09 16 59 subject general oreda presentation 2010 09 17 keywords

general oreda presentation 2010 09 17 pqr uiaf gov co - Dec 31 2022

web sep 17 2010 this general oreda presentation 2010 09 17 as one of the most practicing sellers here will very be along with the best options to review business statistics david f groebner 2005 this comprehensive text presents descriptive and inferential statistics with an assortment of business

general oreda presentation 2010 09 17 2022 monograf - Nov 29 2022

web the general oreda presentation 2010 09 17 it is totally easy then since currently we extend the belong to to purchase and make bargains to download and install general oreda presentation 2010 09 17 as a result simple

general oreda presentation 2010 09 17 download only - Jul 06 2023

web general oreda presentation 2010 09 17 evaluating process safety in the chemical industry cycling and cinema risk based engineering leadership in organizations process control revitalizing health for all leading change oreda application of risk analysis to offshore oil and gas operations making nordic historiography

general oreda presentation 2010 09 17 oreda full pdf - Oct 09 2023

web sep 17 2010 for chemical process safety 2010 09 16 the book supplements guidelines for chemical process quantitative risk analysis by providing the failure rate data needed to perform a chemical process quantitative risk analysis subsea engineering handbook yong bai 2012 01 13 subsea production systems overview of subsea engineering

pdf Üçüncü on yılında türkiye nin orta asya bölgesel politikası - Oct 29 2022

web Üçüncü on yılında türkiye nin orta asya bölgesel politikası sübjektif algılardan gerçeklere in book uluslararası sistemde orta asya dış politika ve güvenlik pp 175 223

general oreda presentation 2010 09 17 virtualb60 boskone - Sep 08 2023

web 2 general oreda presentation 2010 09 17 2023 01 12 beginning with specification and design and advancing to operations maintenance and modification control the key categories of safety life cycle phases are featured including strategies for the allocation of reliability performance requirements assessment methods in relation to design

general oreda presentation 2010 09 17 - May 24 2022

web title general oreda presentation 2010 09 17 author tspa unhcr tug do nl netlabs nl 2023 08 26 21 39 48 subject general oreda presentation 2010 09 17

general oreda presentation 2010 09 17 rhur impacthub net - Mar 02 2023

web sep 16 2023 general oreda presentation 2010 09 17 napoleontiden det långa 1800 talet historia so rummet kenya law kenya gazette napoleontiden det långa 1800 talet historia so rummet june 24th 2018 den händelserika tiden 1799 1815 som inkluderar napoleonkrigen då napoleon styrde frankrike och nästan hela europa stod i brand

orta Çağda avrupa ordularının genel Özellikleri nelerdir - Jul 26 2022

web ortaçağ avrupa sının genel özellikleri şunlardır ortaçağ ın siyasi düzeni avrupa nın genelinde feodalite olarak adlandırılan bir sisteme göre yapılandırılmıştı ortaçağ da halk toplumu oluşturan zümre ayrılmıştı ve aralarında eşitlik yoktu halk köylüler rahipler soylular ve burjuvalar gibi çeşitli

general oreda presentation 2010 09 17 knockinc com - Apr 03 2023

web sep 17 2010 4728788 general oreda presentation 2010 09 17 1 27 downloaded from knockinc com on by guest general oreda presentation 2010 09 17 if you ally habit such a referred general oreda presentation 2010 09 17 ebook that will come up with the money for you worth get the unconditionally best seller from us currently from several

general oreda presentation 2010 09 17 pdf dtzonline - Jun 05 2023

web general oreda presentation 2010 09 17 adopting the tune of phrase an emotional symphony within general oreda presentation 2010 09 17 in a world taken by displays and the ceaseless chatter of fast connection the melodic splendor and emotional symphony created by the published term frequently fade into the background eclipsed by the

[general oreda presentation 2010 09 17 copy wrbb neu](#) - Sep 27 2022

web the book a general framework for building decision models is presented and this is illustrated in various chapters by discussing many different decision models related to the rrm context the scope of the book is related to ways of how to integrate applied probability and decision making in applied probability this

general oreda presentation 2010 09 17 online kptm edu my - Aug 07 2023

web title general oreda presentation 2010 09 17 author online kptm edu my 2023 07 15 10 37 54 subject general oreda presentation 2010 09 17 keywords

sobre mariano mestman coord las rupturas del 68 en el cine de - Jun 01 2022

web reseña del libro las rupturas del 68 en el cine de américa latina coordinado por mariano mestman el libro cuenta con artículos de david oubiña javier sanjinés ismail xavier ivan pinto sergio becerra juan antonio garcía borrero Álvaro vázquez mantecón cecilia lacruz maría luisa ortega mirta varela y paula halperín see full pdf

las rupturas del 68 en el cine de américa latina cdab unicen - Jan 08 2023

web p 1968 constituye un punto de referencia histórico ineludible del siglo xx la expresión 68 como indicación de una nueva sensibilidad político cultural ha sido estudiada desde diversas disciplinas también para lo cinematográfico pero hasta dónde se ha indagado en su significación en américa latina este libro se pregunta por las rupturas que acarrió

las rupturas del 68 en el cine de america latina - Dec 27 2021

web oct 18 2016 las rupturas del 68 en el cine de america latina libro del 2016 escrito por mestman mariano coord isbn 9789874544469 la vanguardia

rupturas del 68 en el cine de america latina - Jan 28 2022

web abebooks com rupturas del 68 en el cine de america latina 9789874544469 by mestman mariano and a great selection of similar new used and collectible books available now at great prices

[las rupturas del 68 en el cine de américa latina overdrive](#) - Mar 30 2022

web feb 27 2017 las rupturas del 68 en el cine de américa latina ebook inter pares by mariano mestman read a sample format ebook isbn 9789874544469 series inter pares author mariano mestman publisher ediciones akal release 27 february 2017 subjects history nonfiction find this title in libby the library reading app by overdrive

las rupturas del 68 en el cine de américa latina akal - May 12 2023

web mar 14 2016 este libro se pregunta por las rupturas que acarrió el cine del 68 en esta región cuándo en qué años sucedió en cada país cómo interpretarlo más allá de la mirada eurocéntrica qué significados y valores comunes reconoce con los fenómenos ocurridos en otras geografías hasta dónde podemos generalizar con la

las rupturas del 68 en el cine de américa latina - Sep 04 2022

web estos y otros interrogantes motivan los ensayos a cargo de destacados especialistas aun cuando indagan en un período más amplio la larga década del 60 muestran que el 68 constituye un momento clave de las rupturas cinematográficas en américa latina

las rupturas del 68 en el cine de américa latina ebook - Feb 26 2022

web feb 26 2017 este libro se pregunta por las rupturas que acarreó el cine del 68 en esta región cuándo en qué años sucedió en cada país cómo interpretarlo más allá de la mirada eurocéntrica

rupturas del 68 en el cine de américa latina - Nov 06 2022

web este libro se pregunta por las rupturas que acarreó el cine del 68 en esta región cuándo en qué años sucedió en cada país cómo interpretarlo más allá de la mirada eurocéntrica qué significados y valores comunes reconoce con los fenómenos ocurridos en otras geografías hasta dónde podemos generalizar con la

las rupturas del 68 en el cine de américa latina cine documental - Apr 11 2023

web las rupturas del 68 en el cine de américa latina plantea un examen de la cinematografía producida en nuestro continente durante la década del sesenta del siglo pasado para ello parte del año 1968 que aparece como un punto de giro en el que se hacen evidentes tendencias que en algunos casos se despliegan

las rupturas del 68 en el cine de américa latina coordenação de - Jun 13 2023

web dec 21 2016 las rupturas del 68 en el cine de américa latina edited by mariano mestman analyses breaks that affected different cinematographies in latin american argentina bolivia brazil chile colombia cuba mexico and uruguay around 1968 this year is considered like a symbol of an era characterized by political contestations and

las rupturas del 68 en el cine de américa latina apple books - Aug 03 2022

web 1968 constituye un punto de referencia histórico ineludible del siglo xx la expresión 68 como indicación de una nueva sensibilidad político cultural ha sido estudiada desde diversas disciplinas también para lo cinematográfico pero hasta dónde se ha indagado en su significación en américa latina

las rupturas del 68 en el cine de américa latina apple books - Mar 10 2023

web este libro se pregunta por las rupturas que acarreó el cine del 68 en esta región cuándo en qué años sucedió en cada país cómo interpretarlo más allá de la mirada eurocéntrica qué significados y valores comunes reconoce con los fenómenos ocurridos en otras geografías hasta dónde podemos generalizar con la

las rupturas del 68 en el cine de américa latina coordenação de - Dec 07 2022

web dec 21 2016 las rupturas del 68 en el cine de américa latina organizado por mariano mestman analiza as rupturas ocorridas em distintas cinematografias da américa latina argentina

las rupturas del 68 en el cine de america latina - Jul 02 2022

web este libro se pregunta por las rupturas que acarreó el cine del 68 en américa latina cuándo en qué años sucedió en cada país cómo interpretarlo más allá de la mirada eurocéntrica qué significados y valores comunes reconoce con los fenómenos ocurridos en otras geografías hasta dónde podemos generalizar con la

[las rupturas del 68 en el cine de américa latina la expresión](#) - Feb 09 2023

web sep 29 2018 este libro se pregunta por las rupturas que acarreó el cine del 68 en esta región cuándo en qué años sucedió en cada país cómo interpretarlo más allá de la mirada eurocéntrica qué significados y valores comunes reconoce con los fenómenos ocurridos en otras geografías hasta dónde podemos generalizar con la

las rupturas del 68 en el cine de américa latina - Oct 05 2022

web sobre mestman mariano coord las rupturas del 68 en el cine de america latina buenos aires akal 2016 480 pp isbn 978 987 4544 6 9

las rupturas del 68 en el cine de américa latina asaeca - Aug 15 2023

web estos y otros interrogantes motivan los ensayos a cargo de destacados especialistas aun cuando indagan en un periodo más amplio la larga década del 60 muestran que el 68 constituye un momento clave de las rupturas cinematográficas en américa latina

las rupturas del 68 en el cine de américa latina academia edu - Jul 14 2023

web las rupturas del 68 en el cine de américa latina introducción se incluye en el siguiente orden indice completo introducción ps 7 61 datos de los doce autores abstract 1968 constituye un punto de referencia ineludible en la historia del siglo xx

las rupturas del 68 en el cine de américa latina scribd - Apr 30 2022

web estos y otros interrogantes motivan los ensayos a cargo de destacados especialistas aun cuando indagan en un período más amplio la larga década del 60 muestran que el 68 constituye un momento clave de las rupturas cinematográficas en américa latina