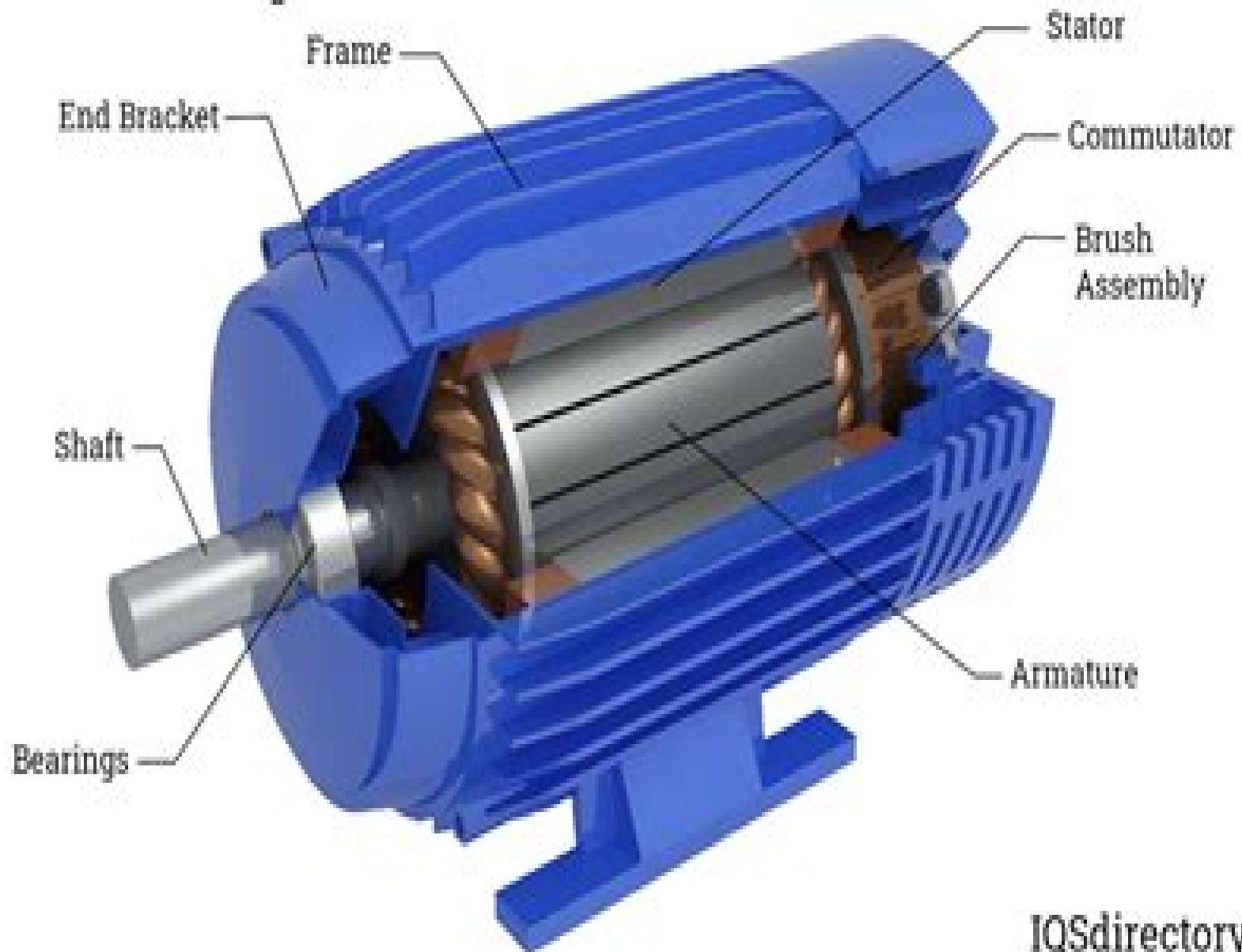


Components Of A Small Electric Motor



Small Electric Motor Construction

Léo Pomar

A decorative graphic element consisting of a light blue horizontal bar with a rounded right end, and a red circular glow behind it.

Small Electric Motor Construction:

The book delves into Small Electric Motor Construction. Small Electric Motor Construction is a crucial topic that must be grasped by everyone, ranging from students and scholars to the general public. This book will furnish comprehensive and in-depth insights into Small Electric Motor Construction, encompassing both the fundamentals and more intricate discussions.

1. The book is structured into several chapters, namely:

- Chapter 1: Introduction to Small Electric Motor Construction
- Chapter 2: Essential Elements of Small Electric Motor Construction
- Chapter 3: Small Electric Motor Construction in Everyday Life
- Chapter 4: Small Electric Motor Construction in Specific Contexts
- Chapter 5: Conclusion

2. In chapter 1, the author will provide an overview of Small Electric Motor Construction. This chapter will explore what Small Electric Motor Construction is, why Small Electric Motor Construction is vital, and how to effectively learn about Small Electric Motor Construction.

3. In chapter 2, this book will delve into the foundational concepts of Small Electric Motor Construction. The second chapter will elucidate the essential principles that must be understood to grasp Small Electric Motor Construction in its entirety.

4. In chapter 3, the author will examine the practical applications of Small Electric Motor Construction in daily life. This chapter will showcase real-world examples of how Small Electric Motor Construction can be effectively utilized in everyday scenarios.

5. In chapter 4, the author will scrutinize the relevance of Small Electric Motor Construction in specific contexts. This chapter will explore how Small Electric Motor Construction is applied in specialized fields, such as education, business, and technology.

6. In chapter 5, this book will draw a conclusion about Small Electric Motor Construction. This chapter will summarize the key points that have been discussed throughout the book.

This book is crafted in an easy-to-understand language and is complemented by engaging illustrations. This book is highly recommended for anyone seeking to gain a comprehensive understanding of Small Electric Motor Construction.

<https://archive.kdd.org/public/Resources/default.aspx/square%20tile%20explorations%20problems.pdf>

Table of Contents Small Electric Motor Construction

1. Understanding the eBook Small Electric Motor Construction
 - The Rise of Digital Reading Small Electric Motor Construction
 - Advantages of eBooks Over Traditional Books
2. Identifying Small Electric Motor Construction
 - Exploring Different Genres
 - Considering Fiction vs. Non-Fiction
 - Determining Your Reading Goals
3. Choosing the Right eBook Platform
 - Popular eBook Platforms
 - Features to Look for in an Small Electric Motor Construction
 - User-Friendly Interface
4. Exploring eBook Recommendations from Small Electric Motor Construction
 - Personalized Recommendations
 - Small Electric Motor Construction User Reviews and Ratings
 - Small Electric Motor Construction and Bestseller Lists
5. Accessing Small Electric Motor Construction Free and Paid eBooks
 - Small Electric Motor Construction Public Domain eBooks
 - Small Electric Motor Construction eBook Subscription Services
 - Small Electric Motor Construction Budget-Friendly Options
6. Navigating Small Electric Motor Construction eBook Formats
 - ePub, PDF, MOBI, and More
 - Small Electric Motor Construction Compatibility with Devices
 - Small Electric Motor Construction Enhanced eBook Features
7. Enhancing Your Reading Experience
 - Adjustable Fonts and Text Sizes of Small Electric Motor Construction
 - Highlighting and Note-Taking Small Electric Motor Construction
 - Interactive Elements Small Electric Motor Construction
8. Staying Engaged with Small Electric Motor Construction

- Joining Online Reading Communities
 - Participating in Virtual Book Clubs
 - Following Authors and Publishers Small Electric Motor Construction
9. Balancing eBooks and Physical Books Small Electric Motor Construction
- Benefits of a Digital Library
 - Creating a Diverse Reading Collection Small Electric Motor Construction
10. Overcoming Reading Challenges
- Dealing with Digital Eye Strain
 - Minimizing Distractions
 - Managing Screen Time
11. Cultivating a Reading Routine Small Electric Motor Construction
- Setting Reading Goals Small Electric Motor Construction
 - Carving Out Dedicated Reading Time
12. Sourcing Reliable Information of Small Electric Motor Construction
- Fact-Checking eBook Content of Small Electric Motor Construction
 - Distinguishing Credible Sources
13. Promoting Lifelong Learning
- Utilizing eBooks for Skill Development
 - Exploring Educational eBooks
14. Embracing eBook Trends
- Integration of Multimedia Elements
 - Interactive and Gamified eBooks

Small Electric Motor Construction Introduction

Small Electric Motor Construction Offers over 60,000 free eBooks, including many classics that are in the public domain. Open Library: Provides access to over 1 million free eBooks, including classic literature and contemporary works. Small Electric Motor Construction Offers a vast collection of books, some of which are available for free as PDF downloads, particularly older books in the public domain. Small Electric Motor Construction : This website hosts a vast collection of scientific articles, books, and textbooks. While it operates in a legal gray area due to copyright issues, its a popular resource for finding various publications. Internet Archive for Small Electric Motor Construction : Has an extensive collection of digital

content, including books, articles, videos, and more. It has a massive library of free downloadable books. Free-eBooks Small Electric Motor Construction Offers a diverse range of free eBooks across various genres. Small Electric Motor Construction Focuses mainly on educational books, textbooks, and business books. It offers free PDF downloads for educational purposes. Small Electric Motor Construction Provides a large selection of free eBooks in different genres, which are available for download in various formats, including PDF. Finding specific Small Electric Motor Construction, especially related to Small Electric Motor Construction, might be challenging as they're often artistic creations rather than practical blueprints. However, you can explore the following steps to search for or create your own Online Searches: Look for websites, forums, or blogs dedicated to Small Electric Motor Construction, Sometimes enthusiasts share their designs or concepts in PDF format. Books and Magazines Some Small Electric Motor Construction books or magazines might include. Look for these in online stores or libraries. Remember that while Small Electric Motor Construction, sharing copyrighted material without permission is not legal. Always ensure you're either creating your own or obtaining them from legitimate sources that allow sharing and downloading. Library Check if your local library offers eBook lending services. Many libraries have digital catalogs where you can borrow Small Electric Motor Construction eBooks for free, including popular titles. Online Retailers: Websites like Amazon, Google Books, or Apple Books often sell eBooks. Sometimes, authors or publishers offer promotions or free periods for certain books. Authors Website Occasionally, authors provide excerpts or short stories for free on their websites. While this might not be the Small Electric Motor Construction full book, it can give you a taste of the author's writing style. Subscription Services Platforms like Kindle Unlimited or Scribd offer subscription-based access to a wide range of Small Electric Motor Construction eBooks, including some popular titles.

FAQs About Small Electric Motor Construction Books

What is a Small Electric Motor Construction PDF? A PDF (Portable Document Format) is a file format developed by Adobe that preserves the layout and formatting of a document, regardless of the software, hardware, or operating system used to view or print it. **How do I create a Small Electric Motor Construction PDF?** There are several ways to create a PDF: Use software like Adobe Acrobat, Microsoft Word, or Google Docs, which often have built-in PDF creation tools. Print to PDF: Many applications and operating systems have a "Print to PDF" option that allows you to save a document as a PDF file instead of printing it on paper. Online converters: There are various online tools that can convert different file types to PDF. **How do I edit a Small Electric Motor Construction PDF?** Editing a PDF can be done with software like Adobe Acrobat, which allows direct editing of text, images, and other elements within the PDF. Some free tools, like PDFescape or Smallpdf, also offer basic editing capabilities. **How do I convert a Small Electric Motor Construction PDF to another file**

format? There are multiple ways to convert a PDF to another format: Use online converters like Smallpdf, Zamzar, or Adobe Acrobats export feature to convert PDFs to formats like Word, Excel, JPEG, etc. Software like Adobe Acrobat, Microsoft Word, or other PDF editors may have options to export or save PDFs in different formats. **How do I password-protect a Small Electric Motor Construction PDF?** Most PDF editing software allows you to add password protection. In Adobe Acrobat, for instance, you can go to "File" -> "Properties" -> "Security" to set a password to restrict access or editing capabilities. Are there any free alternatives to Adobe Acrobat for working with PDFs? Yes, there are many free alternatives for working with PDFs, such as: LibreOffice: Offers PDF editing features. PDFsam: Allows splitting, merging, and editing PDFs. Foxit Reader: Provides basic PDF viewing and editing capabilities. How do I compress a PDF file? You can use online tools like Smallpdf, ILovePDF, or desktop software like Adobe Acrobat to compress PDF files without significant quality loss. Compression reduces the file size, making it easier to share and download. Can I fill out forms in a PDF file? Yes, most PDF viewers/editors like Adobe Acrobat, Preview (on Mac), or various online tools allow you to fill out forms in PDF files by selecting text fields and entering information. Are there any restrictions when working with PDFs? Some PDFs might have restrictions set by their creator, such as password protection, editing restrictions, or print restrictions. Breaking these restrictions might require specific software or tools, which may or may not be legal depending on the circumstances and local laws.

Find Small Electric Motor Construction :

square tile explorations problems

sports car menopause a novel

sports hero kareem abdul jabbar; the story of lew alcindor

spur to death

spot va a la cole

sport and modern social theorists theorizing homo ludens

squadron six hundred thirty three operation rhine maiden

sports media planning production and reporting

spring garden new and selected poems

squares and courtyards

sports and entertainment

sports anecdotes 1st edition

spotlight into the bible...a guide for bible students

sra math explorations and applications; level 4 home connections blackline masters*sra math***Small Electric Motor Construction :**

Biostatistics for the Biological and Health Sciences Biostatistics for the Biological and Health Sciences | Second Edition. Marc M. Triola and Mario F. Triola. 3.9 out of 5 stars 6. Paperback. \$29.41\$29.41. Biostatistics for the Biological and Health Sciences Biostatistics for the Biological and Health Sciences, 2nd edition. Published by Pearson (December 10, 2020) © 2018. Marc M. Triola NYU School of Medicine ... Biostatistics for the Biological and Health Sciences Jul 5, 2023 — Biostatistics for the Biological and Health Sciences brings statistical theories and methods to life with real applications, a broad range of ... Biostatistics for the Biological and Health Sciences Amazon.com: Biostatistics for the Biological and Health Sciences: 9780321194367: Triola, Marc M, Triola, Mario F: Books. Biostatistics Biostatistics for the Biological and Health Sciences -- Rental Edition, 3rd Edition. By Marc M. Triola, Mario F. Triola, Jason Roy. ISBN-10: 0-13-786410-8 ... Biostatistics for the Biological and Health Sciences - Triola, ... Biostatistics for the Biological and Health Sciences by Triola, Marc; Triola, Mario; Roy, Jason - ISBN 10: 0134039017 - ISBN 13: 9780134039015 - Pearson ... Biostatistics for the Biological and Health Sciences Biosta ... Rent Biostatistics for the Biological and Health Sciences 2nd edition (978-0134039015) today, or search our site for other textbooks by Marc M. Triola. Biostatistics for the Biological and Health Sciences ... health professions educational technology development and research. Mario F. Triola is a Professor Emeritus of Mathematics at Dutchess Community College ... Biostatistics for the Biological and Health Sciences by M.D. ... Biostatistics for the Biological and Health Sciences (2nd Edition). by M.D. Triola Marc M., Mario F. Triola, Jason Roy. Hardcover, 720 Pages, Published 2017. Triola - Biostatistics for the Biological and Health Sciences ... This text book is a comprehensive user friendly and easy to read introduction to biostatistics and research methodology meant for undergraduate and postgraduate ... MBTI For Team Building Activity Templates - TeamDynamics Learn how to use MBTI for team building with a free set of workshop templates to help you hold an impactful MBTI team dynamics and MBTI team building activity. Step-by-Step Guide on How To Use Myers-Briggs in Team ... Step 3: Apply knowledge in team building activities. · Play Ups & Downs Ups and Downs is an activity designed to learn more about teammates' motivators. · Have an ... Team Building with Myers-Briggs—Building a Home Out of ... One of my favorite activities is demonstrating this to naysayers who equate MBTI to astrology, so here's a simple team building activity you can use when ... Ideas for group/team building activities using MBTI Hi all,. I want to introduce my group of friends to the MBTI and they have all agreed to participate in some sort of activity altogether. MBTI Team Development Activities Feb 24, 2023 — 36 HR Training & Consultancy uses a variety of fun team building and team development learning activities as well as interesting games to help ... Free type exercises for practitioners - Myers-Briggs

Apr 10, 2015 — A wide range of exercises for use in MBTI® based training sessions. These resources equip MBTI practitioners with group-based activities that ... Team Building Activities | CPP ... (MBTI) assessment and conduct a team building workshop around their assessment results. ... Specific reports such as the MBTI® Comparison Report: Work Styles ... MBTI Team Development Activity Jul 29, 2020 — MBTI team development activity to try in your virtual workshops. Designed to help groups increase self-awareness. Team building activities with MBTI types - marc-prager.co.uk Scavenger hunts: In this team building activity, participants work in teams to find and collect items or complete tasks on a list. This exercise will encourage ... McGraw Hill LINKS 101 102 - Spanish 102 -To Access the... From the drop-down menu, go to the chapter that you are working on, then scroll to the bottom and click on Laboratory Audio Program under More Resources. Note: ... Spanish 102 Chapter 5 -McGraw Hill Flashcards Study with Quizlet and memorize flashcards containing terms like El Barrio, La calle, La casa and more. Spanish | McGraw Hill Higher Education Course management, reporting, and student learning tools backed by great support. Connect® Master Online Learning Without Compromise. McGraw ... McGraw Hill Spanish Connect chapter 17 Flashcards La vida social y afectiva Learn with flashcards, games, and more — for free. Sign In | Connect | McGraw Hill Sign In | Connect | McGraw Hill. Skip to main content McGraw Hill Higher Ed page. Help. McGraw Hill Higher Ed page. Sign In. Email Address. Password. Forgot ... Spanish 102 • Communicate, with few errors, in Spanish using level-appropriate language for ... completing the McGraw-Hill “Connect” exercises (known as “Prep”, “Hmwk ... Webmail Login You have logged out. The system has detected that you are using Internet Explorer 11. cPanel & WHM no longer supports Internet Explorer 11. Looking for the answers to the McGraw Connect Spanish ... Looking for the answers to the McGraw Connect Spanish Homework, does anyone know where I may find the answers? FOREIGN LANGUAGE · SPANISH · SPN 2113. Connect | McGraw Hill: Sign In Sign In | Connect | McGraw Hill. Skip to main content McGraw Hill Higher Ed page. Help. McGraw Hill Higher Ed page. Sign In. Email Address. Password. Forgot ...